



FIRE INSPIRED™

OUTDOOR LIVING PRODUCT CATALOG

2026

Install Confidence™



Visit hpcfire.com for the most up-to-date product listings.



C US



GREETINGS!

Welcome to our newest edition of the HPC Fire Inspired product Catalog. Our goal is to make your experience as easy and seamless as possible. We believe that customer service is not just a department, but rather it is the heart and soul of the entire company. Every team member plays an active role servicing and breathing life into the orders. HPC creates innovative and safe designs suited for our customers' lifestyles. We fabricate fire and modern concrete designs for living spaces—crafted to be seen, touched, and loved. We stand by our designs, ensuring that they will last for a lifetime to come.

We are excited to highlight the following programs to support our mutually beneficial growth aspirations:

1. Over 400 CSA certified appliances guaranteed for top performance
2. Lifetime Warranty on burners and pans
3. HPC Fire One app with AR and 3D models
4. Dealer Portal
5. SST Torpedo Burner yielding the biggest CSA Certified flame on the Market
6. HPC Hybrid Forno de Pizza Oven
7. Universal Gas Orifice
8. Metal Fire Pit Enclosures
9. SmartARC TK Torches
10. Concrete fire pits, crafted by Dekko
11. Advanced custom fire pit design and fulfillment with our Custom Configurator

On behalf of all the team at HPC, I would like to thank you all for your continued support. Cheers to a successful and prosperous year of making memorable moments!



All the Best!

Sean Steimle, Chief Executive Officer

CONTACT



2225 Lyons Road
Miamisburg, OH 45342
Phone: 937-436-9800

Email: information@hpcfire.com

www.hpcfire.com

Printed December 2025

WHAT DOES MAP MEAN?

Throughout our product offerings, you will see the acronym MAP. This stands for Minimum Advertised Price, and it's a policy that HPC Fire Inspired™ applies to nearly all our products. Quite simply, this MAP Policy prevents any trade partner from advertising our products at prices below those specified by HPC Fire Inspired™.

MAP
APPLIES

TERMS AND CONDITIONS

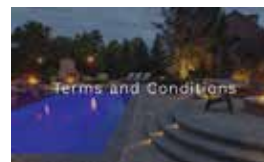
Revision and Modifications of the Agreement

HPC Fire Inspired™ may, by its sole discretion, modify or revise the terms of use and policies at any time as it may deem necessary. By agreeing to the terms of use herein you are bound by any such modifications or changes. It should be noted that nothing specified on these terms of use shall be used to confer any third-party rights and benefits.

Intellectual Property Rights

It is assumed that by using HPC Fire Inspired™ you agree that all content such as photos, text, graphics are copyrights with the copyrights being owned exclusively by HPC Fire Inspired™. You are however allowed to print hard copies of the content for the sole purpose of placing an order.

For the updated Terms and Conditions please go to hpcfire.com/terms-and-conditions



WARRANTY POLICY

Outdoor Fire Components	Residential	Commercial
Fire Pit Stainless Steel Burners	<i>Lifetime</i>	<i>Lifetime</i>
Outdoor Fireplace Burner & Pan	<i>Lifetime</i>	<i>Lifetime</i>
Electronic Components and Gas Valves	3 years	1 year
Pilot Assembly	2 years	1 year
Stainless Steel Components	5 year	1 year
Cold Rolled Steel Components	1 year	6 months
Flex Lines	5 years	1 year
Regulators	3 years	1 year
Outdoor Logs	3 years	3 years
Unfinished Fire Pit Enclosure	3 years	3 years
Copper Bowl Series (<i>Normal Weathering Expected</i>)	1 year	1 year
Aluminum Fire Pit Covers	3 years	3 years
Vinyl Fire Pit Covers	3 years	3 years
Aluminum Bowl / Metal Enclosures	1 year	1 year
Sport Pit	1 year	1 year
Forno de Pizza Ovens	2 years	2 years
Concrete Fire Pit Shells	5 years	5 years
SmartArc Ignition Systems	3 years	1 year
Evolution360™ & H2Onfire Series		
Polyethylene Basin and Liner	3 years	3 year
Water Pump	2 years	1 year
Float and Sensor	2 years	1 year
Hose and Fittings	2 years	2 years
Electronics and LEDs	2 years	1 year



TABLE OF CONTENTS

INTRO

Greetings	2
Table of Contents	3
New Products	4
Flexible Fire Pit Solutions.....	5
Dealer Incentive Program.....	7
Distribution Maps	8
Mobile Fire Pit Display	9
Signature Technology.....	10
Training and Education.....	11
Custom Fire Features.....	12

COMPLETE FIRE FEATURES 16

Concrete Fire Pits	16
Metal Enclosures	20
Aluminum Bowls.....	24
Copper Bowls	26
Evolution360 & H2Onfire	30
TK Torch	32
Sport Pit.....	34

CERTIFIED FIRE PIT INSERTS 36

Round Bowl Inserts	36
Round Flat Inserts.....	40
Square Bowl Inserts	44
Square Flat Inserts	48
H-Burner Inserts	52
H-Burner Flat Inserts	56
Linear Trough Inserts	60
Linear Flat Inserts.....	64
Interlink Inserts	68
Outdoor Fireplace Inserts	72

FIRE PIT KITS & DIY UNITS 74

Uncertified Match Lit Kits	74
Ready-To-Finish Kits.....	76
Other Kits	80

FIRE PIT ACCESSORIES..... 82

Fire Pit Media	82
Fire Pit Covers.....	84
Wind Guards	86

COMPONENTS 88

OUTDOOR LIVING & DINING 98

Forno de Pizza.....	98
Drum Smoker	104

NEWEST PRODUCTS

Concrete Bowls, Crafted by Dekko

In 2025 we acquired Dekko Concrete, pairing industry-leading technology with elegant, ultra-light concrete shells. Featuring a diverse selection of round, square, and rectangular bowls, these fire pits are versatile, robust, and simply stunning-- and with six concrete colors, 3 types of fire rock, wind guards, tabletops, and more, the options are limitless-- and if that wasn't enough, **custom built concrete fire pits are available too!** -- SEE PAGE 16



Metal Enclosures

Meet Agni and Tejas, our two all-metal fire pits. These new enclosures marry elegance and efficiency by providing out-of-the-box, turnkey simplicity and unrivaled finish quality. Select the Agni round fire pit design and pair it with our signature Penta Burner, or choose the Tejas rectangular design paired with our H-Burner. These plug-and-play fire features are the perfect fit for your backyard or outdoor living space, available with five different powder coat finishes. **Custom designs are also available!** -- SEE PAGE 20



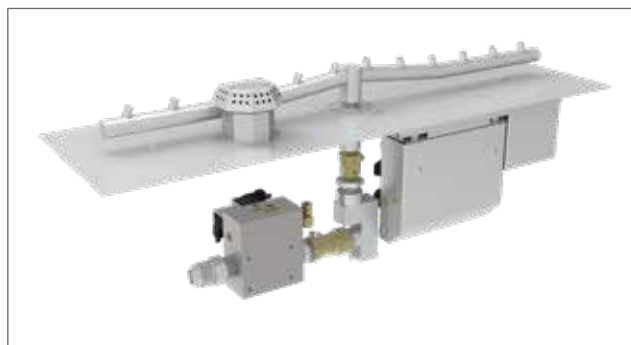
SmartArc TK Torches

HPC is thrilled to announce its latest and greatest technological marvel: the SmartArc TK Torch. After many years of research, prototyping, improving, and regimented testing, this thermocouple-free and pilot-free tiki torch can keep the party going forever with its smart flame sensing ignition system! -- SEE PAGE 32



Flat Pan Fire Pits

We are glad to round out our already diverse product catalog even further by introducing two new CSA-certified fire pit inserts: the H-Burner Flat and the Linear Flat. While they were previously only available as bowl pan models, we saw your needs and have seized the opportunity to meet them. Available with all of our ignition systems (including small-tank LP systems), these fire pits will ship with UGO and will be another great fire feature that you can count on to light every time. -- SEE PAGES 56 & 64



FLEXIBLE FIRE PIT SOLUTIONS

Three Certified Technologies to Choose From



MATCH-LIT

GOOD

Match Lit (MLFPK): Simple. Reliable. Traditional. Light the fire with a match or a lighter and control gas flow with a manual key valve. The classic choice for straightforward performance.



PUSH-BUTTON /
FLAME SENSING

BETTER

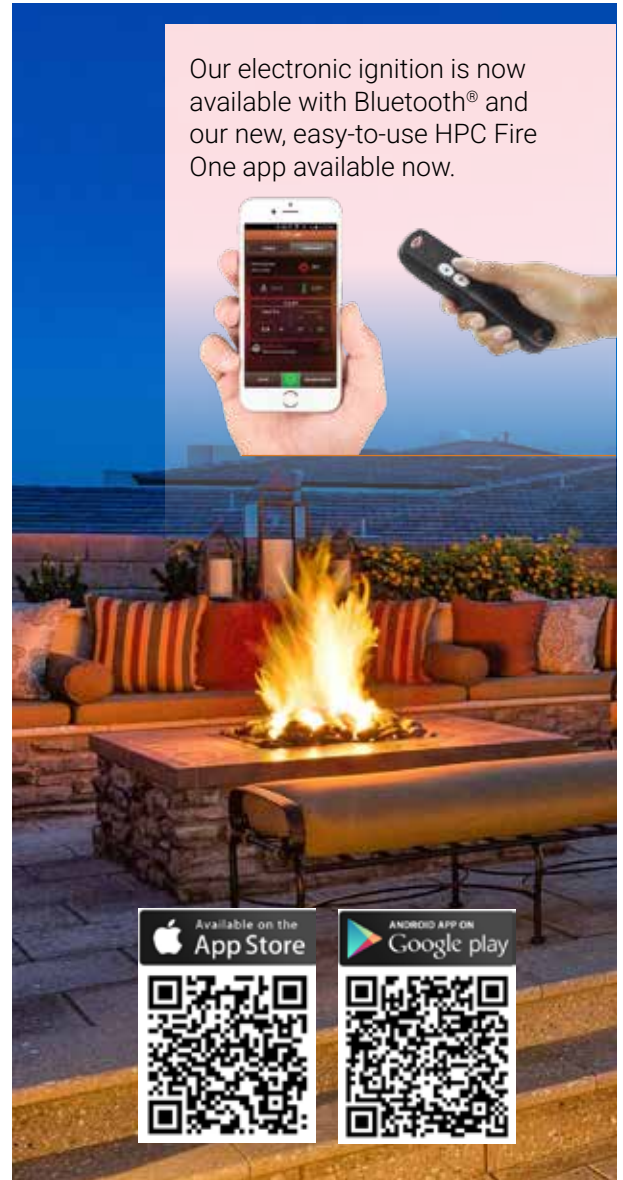
Push-Button Flame Sensing Ignition (FPPK): Push-button convenience with built-in safety. A spark ignites the pilot and flame sensing technology automatically shuts off the gas if the flame goes out. Hands-on control with peace of mind protection.



ELECTRONIC
IGNITION

BEST

Electronic Ignition (EI): Premium, smart, and fully automated. Power-driven ignition works with remotes, wall switches, timers, or smart home systems, and HI/LO models allow adjustable flame height at the tip of your fingers. Advanced flame monitoring delivers top-tier safety and effortless operation. Required for most commercial applications.



Our electronic ignition is now available with Bluetooth® and our new, easy-to-use HPC Fire One app available now.

Match-Lit Kits

For LP and NG applications. Includes burner, valve and key, flange, flex-line hose and fittings.



The Bluetooth® word mark and logos are registered trademarks owned by Bluetooth SIG, Inc.

Apple® is registered trademarks of Apple Inc.

Android™ is a trademark of Google Inc.

FLEXIBLE FIRE PIT SOLUTIONS

The proven leader in outdoor fire technology, HPC offers:

- The largest selection of CSA-certified inserts in the industry
- Inserts in a breadth of shapes and sizes that are sure to have an option to fit your application
- Three CSA-certified technologies for all inserts: Match-Lit, Push-Button / Flame Sensing, and Remote / Bluetooth Controlled Electronic Ignition
- Inserts that come complete with burner, pan and related electronics
- CSA-certified custom shapes & sizes available
- **NEW** - Linear trough and rectangular H-burner inserts now have flat pan options!

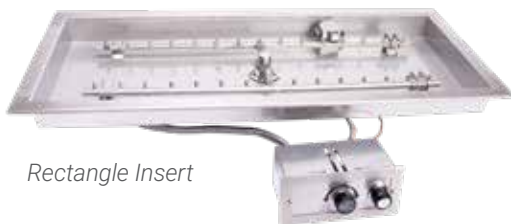
The patented SST Torpedo Burners yield an enhanced bonfire like aesthetic and the largest CSA Certified flame on the market.



Square Bowl Pan Insert



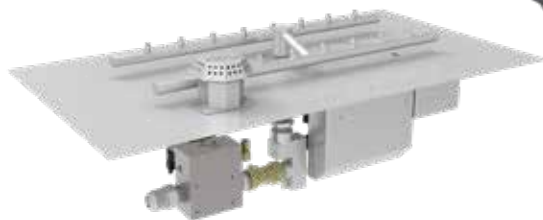
Square Flat Insert



Rectangle Insert



Penta Insert



NEW H-Burner Flat Insert

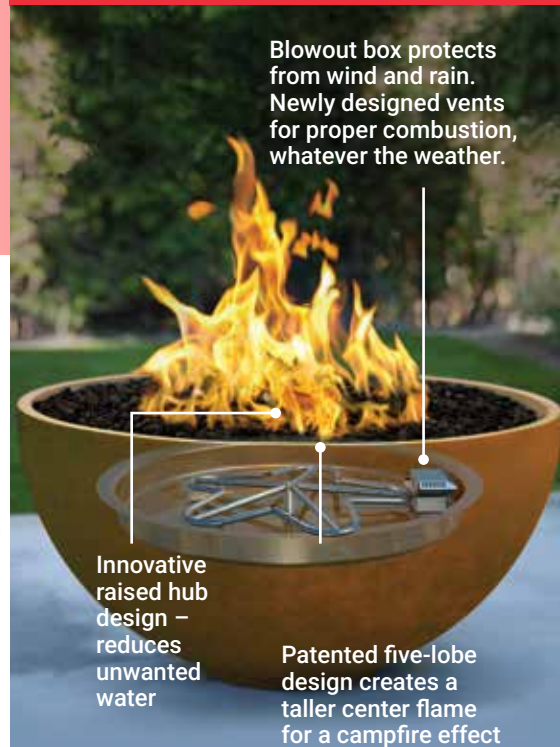


NEW Linear Flat Insert



Interlink Insert

Patented Penta Burners



Blowout box protects from wind and rain. Newly designed vents for proper combustion, whatever the weather.

Innovative raised hub design – reduces unwanted water

Patented five-lobe design creates a taller center flame for a campfire effect

More Penta advantages:

- Uses less fuel to attain same flame height as fire ring
- Burner holes engineered to promote natural looking flames
- Low profile design requires less media
- Available with CSA-certified Electronic Ignition systems and all of the necessary components
- Designed to shed water - no clogging or valve damage

**CSA-CERTIFIED INSERTS
ARE FULLY ASSEMBLED
AND 100% BURN TESTED!**

DEALER INCENTIVE PROGRAM

YEAR-LONG PRICING STRUCTURE

When you achieve annual sales benchmarks, you may unlock better discounts, which are locked in for the year. For more information, visit us online or contact our office at 937-436-9800.

ONLINE ORDER FULFILLMENT:

HPC offers a searchable online ordering site through the Dealer Portal: store.hpcfire.com.

EXCLUSIVE DISPLAY DISCOUNTS

UNLIT DISPLAYS

Get an exclusive display credit for NON-BURNING showroom display units. Highlight our products in your store and let your customers discover quality, elegance, and reliability up close.

- Must be clearly visible in showroom
- Limits may apply

LIVE BURN DISPLAYS

Get an even better display credit for installed, outdoor, LIVE-BURNING display units. Inspire customers by showing them real flames and quality craftsmanship in a real, practical setting.

- Outdoor units must have a dedicated gas line
- Limits may apply
- Forno de Pizza products excluded



Unlit display example



Display Towers Available

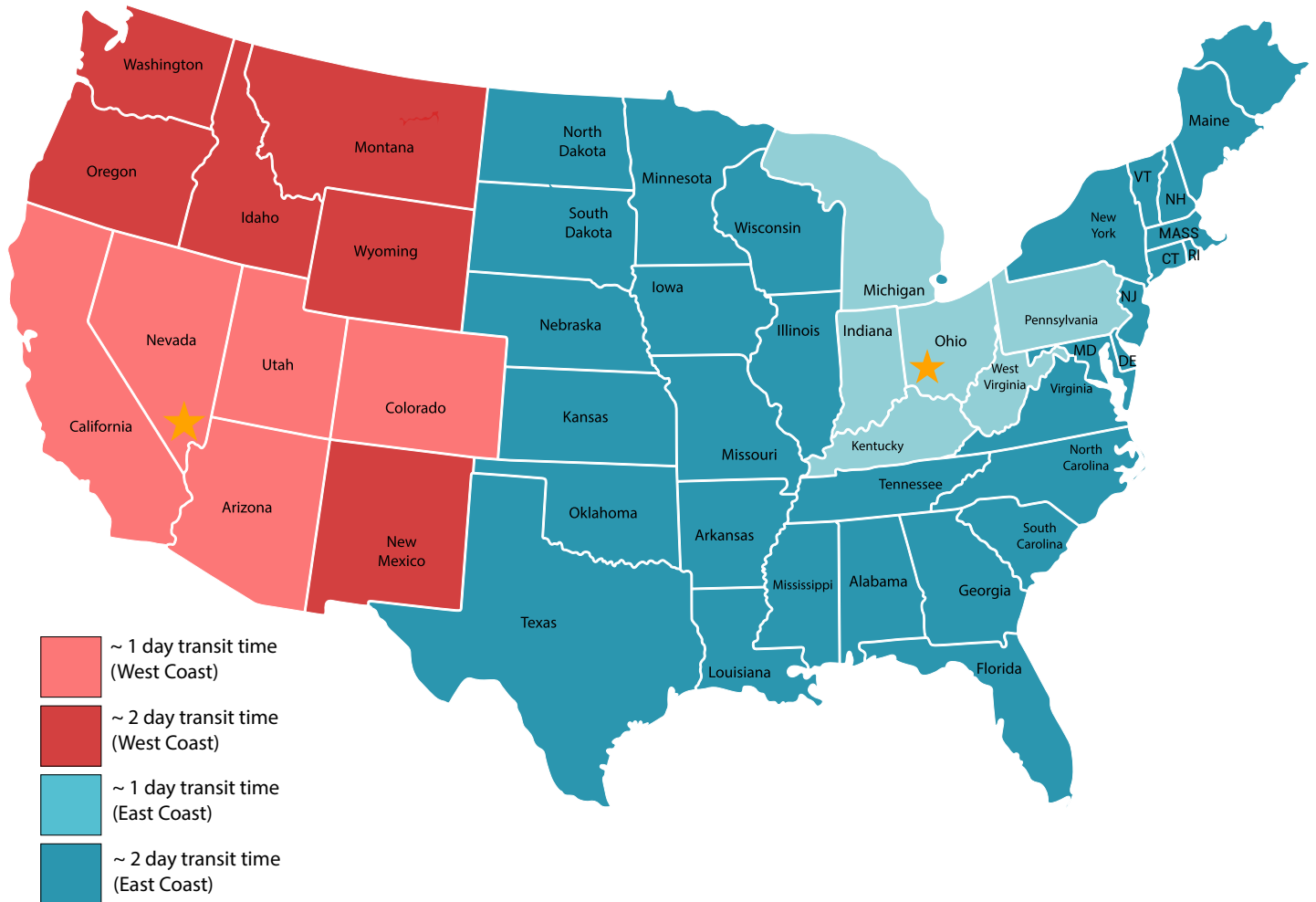
Carboard dealer displays are available upon request. 1 free per business.



DISTRIBUTION MAPS

East & West Coast Distribution

In 2023, we acquired a West Coast facility in Las Vegas, NV. Our lead times are all the better for it! Below shows which states can receive shipments from which distribution center. Some states can receive their shipments as soon as 1 business day after the order is placed. Note: lead times may vary. Contact customer service for more information.



MOBILE FIRE PIT DISPLAY

Fire Feature Trailer

Our mobile fire pit display trailer brings the warmth and innovation of HPC Fire Inspired directly to you. This custom-built trailer is a showcase of our exceptional fire features, including stunning aluminum and copper fire pit bowls, the versatile Forno de Pizza oven, and elegant TK torches. Designed to inspire and ignite creativity, the trailer allows you to see, touch, and experience the craftsmanship and functionality that make our products stand out.

When we visit, we don't just showcase our products—we bring the experience to life! Our team sets up a live burn display, so you can see the beauty and performance of our fire features firsthand. And since the Forno de Pizza oven is part of the lineup, we often fire it up to cook delicious pizzas for our guests, making the visit both engaging and memorable. If you're interested in hosting our mobile display trailer and discovering the possibilities for your outdoor space, contact us today to arrange a visit. Let us bring the inspiration to you!



INDUSTRY-LEADING WEATHERPROOFING

HOW WE ACCOMMODATE MOTHER NATURE

Gas fire features face many environmental challenges when placed outdoors, like rain, sleet, and snow. HPC designs its products to ensure our fire pits function effectively and safely in the field no matter the weather conditions. For example:

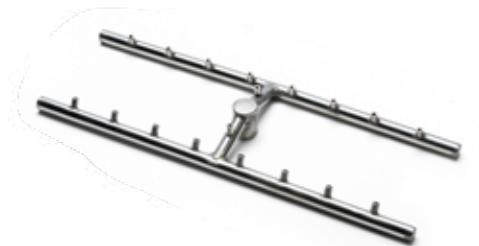
- All of our burners effectively prevent rainwater buildup. Their raised, central hubs paired with strategically placed weep holes, allow any excess water to escape.
- HPC's Electronic Ignition models all include a "drip leg" that diverts any water away from the electronics.
- In the face of wind, HPC's Electronic Ignition and Push Button/Flame Sensing models are all equipped with a thermocouple sensor that will shut off the gas supply if the flame is extinguished. In addition, HPC's metal "blow-out-box" acts as an added layer of protection, shielding the pilot flame from the elements.
- Dielectric grease is applied to electrical connections to keep water away from spade connectors.
- HPC offers wind guards to help prevent the wind from blowing out your flame.

- To enhance the longevity of HPC designs, we offer a variety of covers to be utilized when appliances are not in use.
- We utilize outdoor-approved Solenoid valves to prevent moisture infiltration.



SST TORPEDO BURNERS

The commercial-grade SST Torpedo™ burner, available in Penta, Linear and H configurations, is our newly designed nozzle which creates the largest flame on the market. The SST Torpedo Burners yield an enhanced bonfire like aesthetic. This is a great addition to our product offerings, providing customers with an array of flame options.



STANDARD BURNER (WITHOUT NOZZLES)



SST TORPEDO BURNER (WITH NOZZLES)



**THE SST TORPEDO™ IS THE LARGEST
CSA CERTIFIED FLAME ON THE MARKET.**

TRAINING & EDUCATION

We believe that knowledge is power. The quality of education that we provide you about our products directly affects your business as well as our own. That's why we've chosen to prioritize our training and education programs: so that you can be equipped to give top-notch service to your customers. Since 2022, we have been working hard to provide opportunities to expand your HPC product knowledge. Read here about HPC University, our Innovation and Education Center, and how you can get involved with both!

HPC University

Our team has been working hard to build HPC University, a web platform that facilitates product education through study materials and quizzes. We've used it internally to educate our employees, and now it's available to our customers.

Right now, there are 14 courses available with videos, powerpoints, notes, and quizzes. Once you've gotten a grasp on the material, you can take the quiz and earn certification for that course.

We are always looking to add more content that would be useful to our customers. If you have a topic of interest, please contact us and let us know! Want a more in-depth or personal experience? You can train with our Training and Education Manager, Chuck Parsons, at our Innovation and Education Center!

Innovation and Education Center

In early 2023, we opened our Innovation and Education Center, a space dedicated to improving our products, processes, and our customer's education. The center includes a showroom and training area where our Training and Education Manager, Chuck Parsons, holds in-person, personalized classes for any dealers / distributors interested.

Training sessions are entirely free-- you only need to cover the cost of travel. We are happy to assist in making accommodations for your stay. These classes are the perfect chance to get one on one time with the most skilled technicians at HPC and ask the questions that you have about our products.

If you're interested in training with us, you can contact us at information@hpcfire.com or go online to hpcfire.com/training-booking-calendar and schedule an appointment today. We will contact you with verification or rescheduling if needed!

Looking for more?

Sometimes you need an answer on the fly. If you're in the field and need assistance troubleshooting, call our office at (937) 436-9800 M-F, 8am to 5pm EST and ask for tech support.

You can read about our products online at hpcfire.com/blog where we post weekly Tech Talks, discussing everything from sales to styling to the manufacturing process.

Furthermore, you can find some of our most-asked tech support questions on our YouTube channel at youtube.com/hpcfire.

Please feel free to forward all other inquiries or comments onto information@hpcfire.com.



An image of our Innovation & Education Center



CUSTOM FIRE PITS

What We Offer

We are proud to offer: **custom fire pit inserts** (CSA certified & uncertified), **custom enclosures** (concrete, metal, and ready-to-finish), as well as **individual burners and pans**.

We can produce nearly any design, from basic geometric shapes like rectangles and arches to complex forms like your home state, a favorite sports team's logo, or even a combination of shapes.

The best part about it all? Our engineered-to-order fire pits and enclosures, available with CSA certification (limits and restrictions may apply), **can ship in just two weeks.**



Getting Started

Outlining the details of your project is the first step to creating a one-of-a-kind fire feature. Consider the following:

- Installation location
- Application
- Enclosure type
- Ventilation and drainage
- Gas type
- Pan style and shape
- Burner style and shape
- Size

Having this essential information at the beginning will help our experts create the fire design of your dreams. With safety and innovation in mind, we will work with you to create something revolutionary.

CSA Certification

For engineered-to-order designs to be CSA certified, they must not exceed a certain range of BTUs:

Match Lit: 65k BTUs
Push Button: 250k BTUs
EI: 400k BTUs

Anything above these BTU ranges can be built, but will not be CSA certified, as they are classified as high pressure units.



CUSTOM CONFIGURATOR

Design Customs Easier than Ever

We are excited to announce that our custom configurator is now online! It allows users to build and review a custom project visually with data entry fields. Once the dimensions, styles, and technical specifications are recorded, the configurator will render a 3D model preview of the fire pit and provide you with an estimate on the spot.

Try out our new easy-to-use configurator today!

firefab.hpcfire.com



FireFab 3D Configurator

1 Pan S... 2 Burner... 3 Ignition... 4 Gas T... 5 Access... 6 3D Vi... 7 HXDP / E...

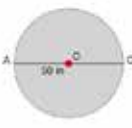
Step 1

Bowl Pan

Yes, Use bowl pan No, Use flat pan No Lip pan

Select the shape of the pan

Round Square Rectangle Arch No Pan Custom



Lip Slope (inch) Pan Depth (inch)

Bowl Size

Diameter: A-C (inch)



**LIGHTS
EVERY
TIME**



CONCRETE FIRE PITS

Crafted by Dekko



CONCRETE FIRE PITS BY HPC, CRAFTED BY DEKKO

Create a stunning focal point that complements your outdoor living space and lifestyle with an HPC lightweight concrete fire pit, crafted by Dekko. Our collection of fire pits provide unlimited entertaining opportunities to make memorable moments. Our unique ultra-light concrete fire pits are 100% concrete and less than half the weight of competitors, making them easy to ship and install on any project including rooftops, patios and commercial applications-- made right here in North America. Color selection and media are included!



Model	Size	Weight	ML MSRP	EI MSRP	Shell
Element	20.5" x 16"	50lbs	\$3,225.00	\$5,535.00	ELEM



Model	Size	Weight	ML MSRP	EI MSRP	Shell
Alea 32	32" x 32" x 13"	115lbs	\$4,129.00	\$6,439.00	ALEA32
Alea 40	40" x 40" x 16"	177lbs	\$5,375.00	\$7,685.00	ALEA40



Model	Size	Weight	ML MSRP	EI MSRP	Shell
Belmont	36" x 16"	120lbs	\$4,906.00	\$7,216.00	BELM



Model	Size	Weight	ML MSRP	EI MSRP	Shell
Sonoma 56	56" x 30" x 16"	190lbs	\$5,893.00	\$8,203.00	SON056
Sonoma 72	72" x 33" x 16"	215lbs	\$6,610.00	\$8,920.00	SON072



Model	Size	Weight	ML MSRP	EI MSRP	Shell
Serenade 32	32" x 15.5"	90lbs	\$4,129.00	\$6,439.00	SERE32
Serenade 40	40" x 19"	110lbs	\$5,717.00	\$8,027.00	SERE40



Model	Size	Weight	ML MSRP	EI MSRP	Shell
Bravo	32" x 32" x 13"	115lbs	\$4,129.00	\$6,439.00	BRAV



Model	Size	Weight	ML MSRP	EI MSRP	Shell
Avera 48	48" x 25.75" x 16"	145lbs	\$5,127.00	\$7,437.00	AVER48
Avera 60	60" x 25.75" x 16"	175lbs	\$5,596.00	\$7,906.00	AVER60

Custom Designs Available!



Colors



Ash
Model Color: A



Charcoal
Model Color: CH



Clay
Model Color: CL



Limestone
Model Color: L



Natural
Model Color: N



Sandstone
Model Color: S

Stones



Ivory
Beachstone
Model Stone: IB



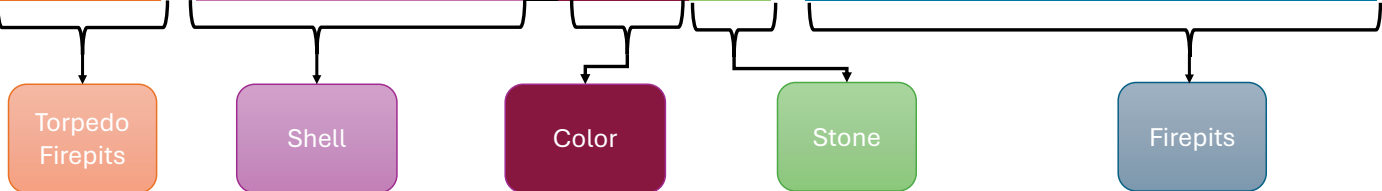
Slate
Beachstone
Model Stone: SB



Lava Rock
Model Stone: BL

How To Build Concrete Enclosure Part Numbers

TOR-AVER48-CHIB-EI-LP/120VAC



- ALEA32
- ALEA40
- AVER48
- AVER60
- SERE32
- SERE40
- SONO56
- SONO72
- BELM
- BRAV
- ELEM

- N (Natural)
- L (Limestone)
- CL (Clay)
- A (Ash)
- S (Sandstone)
- CH (Charcoal)

- IB (Ivory Beach Stone)
- SB (Slate Beach Stone)
- BL (Black Lava Rock)

- EI-LP/120VAC
- EI-NG/120VAC
- EI-LP/24VAC
- EI-NG/24VAC
- MLFPK-LP
- MLFPK-NG



CONCRETE FIRE PIT ACCESSORIES

HPC's Concrete product line, crafted by Dekko, features a wide variety of accessories to finish your outdoor living space and to make the most of your fire pit.

Vinyl Weather Covers

Model	SKU	Wind Guard Cover SKU	MSRP
Alea 32	ALEA32-BRAV-VC	ALEA32-VC-WG	\$221.00
Alea 40	ALEA40-VC	ALEA40-VC-WG	\$221.00
Avera 48	AVER48-VC	AVERA48-VC-WG	\$231.00
Avera 60	AVER60-VC	AVERA60-VC-WG	\$290.00
Bravo	ALEA32-BRAV-VC	BRAV-VC-WG	\$221.00
Belmont	BELM-VC	BELM-VC-WG	\$290.00
Element	ELEM-VC	n/a	\$231.00
Propane Tank	PTC-VC	n/a	\$221.00
Serenade 32	SERE32-VC	SERE32-VC-WG	\$221.00
Serenade 40	SERE40-VC	SERE40-VC-WG	\$277.00
Sonoma 56	SON056-VC	SON056-VC-WG	\$277.00
Sonoma 72	SON072-VC	SON072-VC-WG	\$326.00

*These covers are taller to accommodate the height of a wind guard



BRAV-VC-WG



ELEM-VC



SON072-VC

Aluminum Tabletop Lids

Model	SKU	MSRP
Alea 32, Bravo	ALEA32-BRAV-TT	\$877.00
Avera 48	AVER48-TT	\$1,034.00
Avera 60	AVER60-TT	\$1,034.00
Serenade 32	SERE32-TT	\$877.00
Sonoma 72	SON072-TT	\$1,098.00
Belmont	BELM-TT	\$1,034.00
Element	ELEM-TT	\$572.00



ALEA32-BRAV-TT



AVER48-TT



SERE32-TT



SON072-TT

Propane Tank Covers

Color	SKU	MSRP
Natural	PTC-N	\$718.00
Limestone	PTC-L	\$718.00
Clay	PTC-CL	\$718.00
Ash	PTC-A	\$718.00
Sandstone	PTC-S	\$718.00
Charcoal	PTC-CH	\$718.00



Propane tank cover in Ash



Propane tank cover in Charcoal

METAL FIRE PITS

COMPLETE FIRE FEATURES

Our brand-new, all metal fire pits marry elegance and efficiency by providing out-of-the-box, turnkey simplicity and unrivaled finish quality. **Custom designs available!**

Installation Considerations

- Ensure enclosure is placed on level ground



BENEFITS

- Powder-coat finish available in multiple colors
- Built-in ventilation
- Fully assembled fire pit included

FEATURES

- Top-of-the-line ignition systems with Bluetooth control
- Hassle-free, minimal setup required
- Iconic Torpedo burner

SPECIFICATIONS

- .060 mild steel sheet + powder coat
- Weight: ~150lbs

Need LP or 24-Volt Models?

Change "NG" to "LP" in SKU for liquid propane applications
Change "120V" to "24V" in SKU for 24-V applications

Tejas - HI/LO Series - Electronic Ignition

Enclosure Size	Pan Size	Finish Color
48" x 24" x 18"	33" x 15"	Black
48" x 24" x 18"	33" x 15"	Grey
48" x 24" x 18"	33" x 15"	Java
48" x 24" x 18"	33" x 15"	Pewter
48" x 24" x 18"	33" x 15"	Silver Vein

SKU - TORPEDO BURNER	BTU	MSRP
TOR-TEJ48X24EI-HI/LO-NG/120V-B	150k	\$6,754.00
TOR-TEJ48X24EI-HI/LO-NG/120V-G	150k	\$6,754.00
TOR-TEJ48X24EI-HI/LO-NG/120V-J	150k	\$6,754.00
TOR-TEJ48X24EI-HI/LO-NG/120V-P	150k	\$6,754.00
TOR-TEJ48X24EI-HI/LO-NG/120V-S	150k	\$6,754.00

Rock	Glass
2 bags	70lbs
2 bags	70lbs
2 bags	70lbs
2 bags	70lbs
2 bags	70lbs

Tejas - ON/OFF Series - Electronic Ignition

Enclosure Size	Pan Size	Finish Color
48" x 24" x 18"	33" x 15"	Black
48" x 24" x 18"	33" x 15"	Grey
48" x 24" x 18"	33" x 15"	Java
48" x 24" x 18"	33" x 15"	Pewter
48" x 24" x 18"	33" x 15"	Silver Vein

SKU - TORPEDO BURNER	BTU	MSRP
TOR-TEJ48X24EI-NG/120V-B	150k	\$5,873.00
TOR-TEJ48X24EI-NG/120V-G	150k	\$5,873.00
TOR-TEJ48X24EI-NG/120V-J	150k	\$5,873.00
TOR-TEJ48X24EI-NG/120V-P	150k	\$5,873.00
TOR-TEJ48X24EI-NG/120V-S	150k	\$5,873.00

Rock	Glass
2 bags	70lbs
2 bags	70lbs
2 bags	70lbs
2 bags	70lbs
2 bags	70lbs

Tejas - FPPK Series - Push Button Ignition

Enclosure Size	Pan Size	Finish Color
48" x 24" x 18"	33" x 15"	Black
48" x 24" x 18"	33" x 15"	Grey
48" x 24" x 18"	33" x 15"	Java
48" x 24" x 18"	33" x 15"	Pewter
48" x 24" x 18"	33" x 15"	Silver Vein

SKU - TORPEDO BURNER	BTU	MSRP
TOR-TEJ48X24-FPPK-NG-B	150k	\$4,365.00
TOR-TEJ48X24-FPPK-NG-G	150k	\$4,365.00
TOR-TEJ48X24-FPPK-NG-J	150k	\$4,365.00
TOR-TEJ48X24-FPPK-NG-P	150k	\$4,365.00
TOR-TEJ48X24-FPPK-NG-S	150k	\$4,365.00

Rock	Glass
2 bags	70lbs
2 bags	70lbs
2 bags	70lbs
2 bags	70lbs
2 bags	70lbs

Tejas - MLFPK Series - Match Lit Ignition

Enclosure Size	Pan Size	Finish Color
48" x 24" x 18"	33" x 15"	Black
48" x 24" x 18"	33" x 15"	Grey
48" x 24" x 18"	33" x 15"	Java
48" x 24" x 18"	33" x 15"	Pewter
48" x 24" x 18"	33" x 15"	Silver Vein

SKU - TORPEDO BURNER	BTU	MSRP
TOR-TEJ48X24-MLFPK-NG-B	65k	\$3,396.00
TOR-TEJ48X24-MLFPK-NG-G	65k	\$3,396.00
TOR-TEJ48X24-MLFPK-NG-J	65k	\$3,396.00
TOR-TEJ48X24-MLFPK-NG-P	65k	\$3,396.00
TOR-TEJ48X24-MLFPK-NG-S	65k	\$3,396.00

Rock	Glass
2 bags	70lbs
2 bags	70lbs
2 bags	70lbs
2 bags	70lbs
2 bags	70lbs



TOR-TEJ48X24EI-HI/LO-NG/120V-B
Black Finish

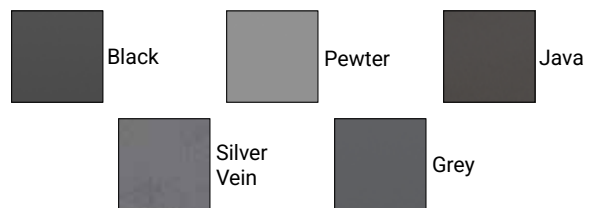


TOR-TEJ48X24EI-HI/LO-NG/120V-P
Pewter Finish

MEET TEJAS

Tejas is a 48" x 24" fire pit that can ship with any of our ignition systems: electronic, push-button, or match-lit. Tejas can produce up to 150,000 BTUs and features an H-burner for a full flame. Available with a weather-proof powder coat finish in black, silver vein, pewter, java, and gray.

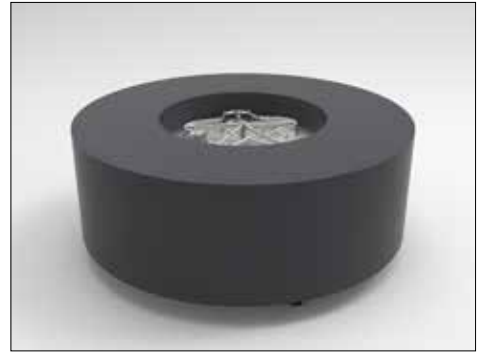
CSA-certified fire pit insert is included.





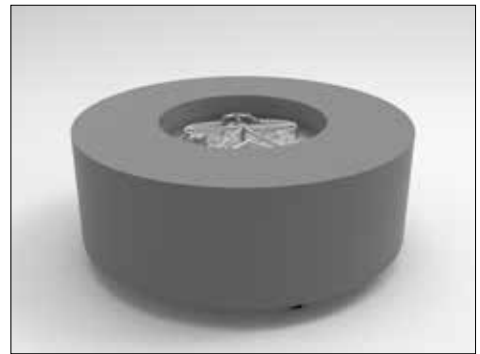
AGNI60EI-HI/LO-NG/120V-B
Black Finish

AGNI60EI-HI/LO-NG/120V-G
Gray Finish



AGNI60EI-HI/LO-NG/120V-G
Java Finish

AGNI60EI-HI/LO-NG/120V-P
Pewter Finish



AGNI60EI-HI/LO-NG/120V-S
Silver Vein Finish

CAN'T FIND WHAT YOU'RE LOOKING FOR?

Our metal fire pits are available as custom designs. You can easily request a quote by going online to hpcfire.com/customs, emailing us at customs@hpcfire.com, or calling us at 937-436-9800.



Custom Tejas fire pit

Need LP or 24-Volt Models?

Change "NG" to "LP" in SKU for liquid propane applications
Change "120V" to "24V" in SKU for 24-V applications

Agni - HI/LO Series - Electronic Ignition

Enclosure Sz.	Pan Sz.	Finish	SKU - STANDARD BURNER	BTU	MSRP	SKU - TORPEDO BURNER	BTU	MSRP	Rock	Glass
ø 48" x 18"	ø 24"	Black	AGNI48EI-HI/LO-NG/120V-B	125k	\$6,436.00	TOR-AGNI48EI-HI/LO-NG/120V-B	140k	\$6,754.00	2 bags	50lbs
ø 48" x 18"	ø 24"	Grey	AGNI48EI-HI/LO-NG/120V-G	125k	\$6,436.00	TOR-AGNI48EI-HI/LO-NG/120V-G	140k	\$6,754.00	2 bags	50lbs
ø 48" x 18"	ø 24"	Java	AGNI48EI-HI/LO-NG/120V-J	125k	\$6,436.00	TOR-AGNI48EI-HI/LO-NG/120V-J	140k	\$6,754.00	2 bags	50lbs
ø 48" x 18"	ø 24"	Pewter	AGNI48EI-HI/LO-NG/120V-P	125k	\$6,436.00	TOR-AGNI48EI-HI/LO-NG/120V-P	140k	\$6,754.00	2 bags	50lbs
ø 48" x 18"	ø 24"	Silver Vein	AGNI48EI-HI/LO-NG/120V-S	125k	\$6,436.00	TOR-AGNI48EI-HI/LO-NG/120V-S	140k	\$6,754.00	2 bags	50lbs
ø 60" x 18"	ø 30"	Black	AGNI60EI-HI/LO-NG/120V-B	200k	\$6,876.00	TOR-AGNI60EI-HI/LO-NG/120V-B	225k	\$7,220.00	2 bags	80lbs
ø 60" x 18"	ø 30"	Grey	AGNI60EI-HI/LO-NG/120V-G	200k	\$6,876.00	TOR-AGNI60EI-HI/LO-NG/120V-G	225k	\$7,220.00	2 bags	80lbs
ø 60" x 18"	ø 30"	Java	AGNI60EI-HI/LO-NG/120V-J	200k	\$6,876.00	TOR-AGNI60EI-HI/LO-NG/120V-J	225k	\$7,220.00	2 bags	80lbs
ø 60" x 18"	ø 30"	Pewter	AGNI60EI-HI/LO-NG/120V-P	200k	\$6,876.00	TOR-AGNI60EI-HI/LO-NG/120V-P	225k	\$7,220.00	2 bags	80lbs
ø 60" x 18"	ø 30"	Silver Vein	AGNI60EI-HI/LO-NG/120V-S	200k	\$6,876.00	TOR-AGNI60EI-HI/LO-NG/120V-S	225k	\$7,220.00	2 bags	80lbs

Agni - ON/OFF Series - Electronic Ignition

Enclosure Sz.	Pan Sz.	Finish	SKU - STANDARD BURNER	BTU	MSRP	SKU - TORPEDO BURNER	BTU	MSRP	Rock	Glass
ø 48" x 18"	ø 24"	Black	AGNI48EI-NG/120V-B	125k	\$5,597.00	TOR-AGNI48EI-NG/120V-B	140k	\$5,873.00	2 bags	50lbs
ø 48" x 18"	ø 24"	Grey	AGNI48EI-NG/120V-G	125k	\$5,597.00	TOR-AGNI48EI-NG/120V-G	140k	\$5,873.00	2 bags	50lbs
ø 48" x 18"	ø 24"	Java	AGNI48EI-NG/120V-J	125k	\$5,597.00	TOR-AGNI48EI-NG/120V-J	140k	\$5,873.00	2 bags	50lbs
ø 48" x 18"	ø 24"	Pewter	AGNI48EI-NG/120V-P	125k	\$5,597.00	TOR-AGNI48EI-NG/120V-P	140k	\$5,873.00	2 bags	50lbs
ø 48" x 18"	ø 24"	Silver Vein	AGNI48EI-NG/120V-S	125k	\$5,597.00	TOR-AGNI48EI-NG/120V-S	140k	\$5,873.00	2 bags	50lbs
ø 60" x 18"	ø 30"	Black	AGNI60EI-NG/120V-B	200k	\$5,979.00	TOR-AGNI60EI-NG/120V-B	225k	\$6,278.00	2 bags	80lbs
ø 60" x 18"	ø 30"	Grey	AGNI60EI-NG/120V-G	200k	\$5,979.00	TOR-AGNI60EI-NG/120V-G	225k	\$6,278.00	2 bags	80lbs
ø 60" x 18"	ø 30"	Java	AGNI60EI-NG/120V-J	200k	\$5,979.00	TOR-AGNI60EI-NG/120V-J	225k	\$6,278.00	2 bags	80lbs
ø 60" x 18"	ø 30"	Pewter	AGNI60EI-NG/120V-P	200k	\$5,979.00	TOR-AGNI60EI-NG/120V-P	225k	\$6,278.00	2 bags	80lbs
ø 60" x 18"	ø 30"	Silver Vein	AGNI60EI-NG/120V-S	200k	\$5,979.00	TOR-AGNI60EI-NG/120V-S	225k	\$6,278.00	2 bags	80lbs

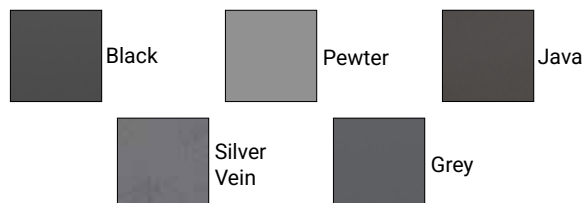
Agni - MLFPK Series - Match Lit Ignition

Enclosure Sz.	Pan Sz.	Finish	SKU - STANDARD BURNER	BTU	MSRP	SKU - TORPEDO BURNER	BTU	MSRP	Rock	Glass
ø 48" x 18"	ø 24"	Black	AGNI48-MLFPK-NG-B	65k	\$3,735.00	TOR-AGNI48-MLFPK-NG-B	65k	\$3,943.00	2 bags	50lbs
ø 48" x 18"	ø 24"	Grey	AGNI48-MLFPK-NG-G	65k	\$3,735.00	TOR-AGNI48-MLFPK-NG-G	65k	\$3,943.00	2 bags	50lbs
ø 48" x 18"	ø 24"	Java	AGNI48-MLFPK-NG-J	65k	\$3,735.00	TOR-AGNI48-MLFPK-NG-J	65k	\$3,943.00	2 bags	50lbs
ø 48" x 18"	ø 24"	Pewter	AGNI48-MLFPK-NG-P	65k	\$3,735.00	TOR-AGNI48-MLFPK-NG-P	65k	\$3,943.00	2 bags	50lbs
ø 48" x 18"	ø 24"	Silver Vein	AGNI48-MLFPK-NG-S	65k	\$3,735.00	TOR-AGNI48-MLFPK-NG-S	65k	\$3,943.00	2 bags	50lbs
ø 60" x 18"	ø 30"	Black	AGNI60-MLFPK-NG-B	65k	\$4,115.00	TOR-AGNI60-MLFPK-NG-B	65k	\$4,324.00	2 bags	80lbs
ø 60" x 18"	ø 30"	Grey	AGNI60-MLFPK-NG-G	65k	\$4,115.00	TOR-AGNI60-MLFPK-NG-G	65k	\$4,324.00	2 bags	80lbs
ø 60" x 18"	ø 30"	Java	AGNI60-MLFPK-NG-J	65k	\$4,115.00	TOR-AGNI60-MLFPK-NG-J	65k	\$4,324.00	2 bags	80lbs
ø 60" x 18"	ø 30"	Pewter	AGNI60-MLFPK-NG-P	65k	\$4,115.00	TOR-AGNI60-MLFPK-NG-P	65k	\$4,324.00	2 bags	80lbs
ø 60" x 18"	ø 30"	Silver Vein	AGNI60-MLFPK-NG-S	65k	\$4,115.00	TOR-AGNI60-MLFPK-NG-S	65k	\$4,324.00	2 bags	80lbs

MEET AGNI

Agni, named for the Hindu god of fire, is a 48" round fire pit available with our most advanced electronic ignition technology or basic match-lit controls. Producing up to 140,000 BTUs, this showstopper features our signature Penta burner for the most natural flame possible. The all-metal enclosure is available with a weather-proof powder coat finish in black, silver vein, pewter, java, and grey.

CSA-certified fire pit insert is included.



ALUMINUM BOWLS

COMPLETE FIRE FEATURES

HPC's lightweight aluminum bowl offers an aesthetic appeal while boasting a powerful flame and a superior ignition system.

Installation Considerations

- Ensure bowl is placed on level ground
- Do not block pre-cut ventilation on bottom of bowl
- Natural gas: minimum 3.5" W.C.; Maximum 7.0"
- Liquid propane: minimum 8.0" W.C.; Maximum 11.0"



BENEFITS

- Extremely lightweight
- Sleek, modern look without the hassle of actual concrete
- Easy handling

FEATURES

- Built-in ventilation
- Two powder-coat finishes to choose from: Walnut and Concrete
- Lip pan separates from bowl

SPECIFICATIONS

- Made with spun 5052 aluminum
- Available with Match-Lit or Electronic Ignition control systems

Need LP or 24-Volt Models?

Change "NG" to "LP" in SKU for liquid propane applications
Change "120VAC" to "24VAC" in SKU for 24-V applications

HI/LO Series - Electronic Ignition

Finish	Bowl Size	SKU - STANDARD BURNER	BTU	MSRP
Concrete	ø 35" x 14-1/2"	STONE30EI-HI/LO-NG/120VAC	125k	\$4,519.00
Walnut	ø 35" x 14-1/2"	WALNUT30EI-HI/LO-NG/120VAC	125k	\$4,519.00

SKU - TORPEDO BURNER	BTU	MSRP	Rock	Glass
TOR-STONE30EI-HI/LO-NG/120VAC	140k	\$4,971.00	2 bags	90lbs
TOR-WALNUT30EI-HI/LO-NG/120VAC	140k	\$4,971.00	2 bags	90lbs

ON/OFF Series - Electronic Ignition

Finish	Bowl Size	SKU - STANDARD BURNER	BTU	MSRP
Concrete	ø 35" x 14-1/2"	STONE30EI-NG/120VAC	125k	\$4,252.00
Walnut	ø 35" x 14-1/2"	WALNUT30EI-NG/120VAC	125k	\$4,252.00

SKU - TORPEDO BURNER	BTU	MSRP	Rock	Glass
TOR-STONE30EI-NG/120VAC	140k	\$4,678.00	2 bags	90lbs
TOR-WALNUT30EI-NG/120VAC	140k	\$4,678.00	2 bags	90lbs

MLFPK Series - Match-Lit Ignition

Finish	Bowl Size	SKU - STANDARD BURNER	BTU	MSRP
Concrete	ø 35" x 14-1/2"	STONE30MLFPK-NG	65k	\$2,159.00
Walnut	ø 35" x 14-1/2"	WALNUT30MLFPK-NG	65k	\$2,159.00

SKU - TORPEDO BURNER	BTU	MSRP	Rock	Glass
TOR-STONE30MLFPK-NG	65k	\$2,590.00	2 bags	90lbs
TOR-WALNUT30MLFPK-NG	65k	\$2,590.00	2 bags	90lbs



Walnut



Concrete

FINISH OPTIONS

The Aluminum Bowl series is available with two finishes: concrete and walnut. The former resembles real concrete without any of the hassle, and the latter offers a wooden aesthetic for those who prefer a warmer look over the concrete's sleek, modern appearance.

The Aluminum Bowl includes built-in ventilation along the bottom ring of the bowl and a pre-cut hole at its base for running a gas line. The pan separates from the bowl easily to simplify maintenance.



COPPER BOWLS

COMPLETE FIRE FEATURES

Our beautiful Copper Bowls are the perfect addition to an elegant backyard. Available in a variety of shapes, sizes, and with different finishes to choose from, there is no shortage of customization options when it comes to amplifying your outdoor living space with a copper bowl.

Installation Considerations

- Ensure bowl is placed on level ground
- For bowls that do not have ventilation, spacers are provided. Copper bowls need to be raised with a minimum of 3/4" gap & a minimum of 6" diameter hole in bottom
- 12VAC models require HPC/SEBCO 12VAC 100W power supply for copper ONLY



BENEFITS

- Beautiful hammered / smooth & oil-rubbed copper finish
- Built-in ventilation or spacers provided
- Access doors for convenient maintenance

FEATURES

- Many bowls are available with water scuppers for poolside applications
- Standard and Torpedo burner varieties are available

SPECIFICATIONS

- Poolside Fire & Water bowls use 1" FIP fitting for pool pump connection
- 12V models available for poolside applications

Mesa Series - Electronic Ignition

Bowl Size	Bowl Type	SKU - STANDARD BURNER	BTU	MSRP
ø 32" x 15"	Fire	MESA32-EI-NG/120VAC	65k	\$8,341.00
ø 32" x 15"	Fire & Water	MESA32W-EI-NG/12VAC	65k	\$8,970.00

SKU - TORPEDO BURNER	BTU	MSRP	Rock	Glass
TOR-MESA32-EI-NG/120VAC	90k	\$9,175.00	2 bags	30lbs
TOR-MESA32W-EI-NG/12VAC	90k	\$9,676.00	2 bags	30lbs

Mesa Series - Match Lit

Bowl Size	Bowl Type	SKU - STANDARD BURNER	BTU	MSRP
ø 32" x 15"	Fire	MESA32-MLFPK-NG	65k	\$5,757.00
ø 32" x 15"	Fire & Water	MESA32W-MLFPK-NG	65k	\$6,545.00

SKU - TORPEDO BURNER	BTU	MSRP	Rock	Glass
TOR-MESA32-MLFPK-NG	65k	\$6,909.00	2 bags	30lbs
TOR-MESA32W-MLFPK-NG	65k	\$7,854.00	2 bags	30lbs



MESA



MESA FIRE & WATER

Sedona Series - Electronic Ignition

Bowl Size	Bowl Type	SKU - STANDARD BURNER	BTU	MSRP
40" x 40" x 16"	Fire	SEDO40-EI-NG/120VAC	125k	\$10,780.00
40" x 40" x 16"	Fire & Water	SEDO40W-EI-NG/12VAC	125k	\$11,626.00

SKU - TORPEDO BURNER	BTU	MSRP	Rock	Glass
TOR-SEDO40-EI-NG/120VAC	140k	\$11,858.00	2 bags	60lbs
TOR-SEDO40W-EI-NG/12VAC	140k	\$12,543.00	2 bags	60lbs

Sedona Series - Match Lit

Bowl Size	Bowl Type	SKU - STANDARD BURNER	BTU	MSRP
40" x 40" x 16"	Fire	SEDO40-MLFPK-NG	65k	\$8,464.00
40" x 40" x 16"	Fire & Water	SEDO40W-MLFPK-NG	65k	\$9,093.00

SKU - TORPEDO BURNER	BTU	MSRP	Rock	Glass
TOR-SEDO40-MLFPK-NG	65k	\$10,157.00	2 bags	60lbs
TOR-SEDO40W-MLFPK-NG	65k	\$10,911.00	2 bags	60lbs



SEDONA





MESA

🔥 Tempe Series - Electronic Ignition

Bowl Size	Bowl Type	SKU - STANDARD BURNER	BTU	MSRP	SKU - TORPEDO BURNER	BTU	MSRP	Rock	Glass
ø 31" x 10.5"	Fire	TEMP31-EI-NG/120VAC	65k	\$6,389.00	TOR-TEMP31-EI-NG/120VAC	90k	\$7,028.00	2 bags	40lbs
ø 31" x 10.5"	Fire & Water	TEMP31W-EI-NG/12VAC	65k	\$6,859.00	TOR-TEMP31W-EI-NG/12VAC	90k	\$7,400.00	2 bags	40lbs

🔥 Tempe Series - Match Lit

Bowl Size	Bowl Type	SKU - STANDARD BURNER	BTU	MSRP	SKU - TORPEDO BURNER	BTU	MSRP	Rock	Glass
ø 31" x 10.5"	Fire	TEMP31-MLFPK-NG	65k	\$4,423.00	TOR-TEMP31-MLFPK-NG	65k	\$5,308.00	2 bags	40lbs
ø 31" x 10.5"	Fire & Water	TEMP31W-MLFPK-NG	65k	\$5,002.00	TOR-TEMP31W-MLFPK-NG	65k	\$6,003.00	2 bags	40lbs



TEMPE FIRE & WATER

🔥 Sierra Series - Electronic Ignition

Bowl Size	Bowl Type	SKU - STANDARD BURNER	BTU	MSRP	SKU - TORPEDO BURNER	BTU	MSRP	Rock	Glass
36" x 36" x 16"	Fire	SIER36-EI-NG/120VAC	65k	\$10,636.00	TOR-SIER36-EI-NG/120VAC	90k	\$11,699.00	2 bags	40lbs
36" x 36" x 16"	Fire & Water	SIER36W-EI-NG/12VAC	65k	\$10,983.00	TOR-SIER36W-EI-NG/12VAC	90k	\$11,848.00	2 bags	40lbs

🔥 Sierra Series - Match Lit

Bowl Size	Bowl Type	SKU - STANDARD BURNER	BTU	MSRP	SKU - TORPEDO BURNER	BTU	MSRP	Rock	Glass
40" x 40" x 16"	Fire	SIER36-MLFPK-NG	65k	\$8,373.00	TOR-SIER36-MLFPK-NG	65k	\$10,047.00	2 bags	40lbs
40" x 40" x 16"	Fire & Water	SIER36W-MLFPK-NG	65k	\$8,970.00	TOR-SIER36W-MLFPK-NG	65k	\$10,763.00	2 bags	40lbs

🔥 Phoenix Series - Electronic Ignition

Bowl Size	Burner Type	SKU - TORPEDO BURNER	BTU	MSRP	Rock	Glass
47" x 25" x 18"	H-Burner	TOR-PHOEN47X25/H-EI-NG/120VAC	175k	\$15,161.00	2 bags	60lbs
47" x 25" x 18"	Linear Burner	TOR-PHOEN47X25/TRGH-EI-NG/120V	115k	\$15,507.00	2 bags	60lbs

🔥 Phoenix Series - Push Button Ignition

Bowl Size	Bowl Type	SKU - TORPEDO BURNER	BTU	MSRP	Rock	Glass
47" x 25" x 18"	H-Burner	TOR-PHOEN47X25/HBURN-FPPK-NG	150k	\$14,879.00	2 bags	60lbs
47" x 25" x 18"	Linear Burner	TOR-PHOEN47X25/TRGH-FPPK-NG	115k	\$15,256.00	2 bags	60lbs

🔥 Phoenix Series - Match Lit

Bowl Size	Bowl Type	SKU - TORPEDO BURNER	BTU	MSRP	Rock	Glass
47" x 25" x 18"	H-Burner	TOR-PHOEN47X25/HBURN-MLFPK-NG	65k	\$13,976.00	2 bags	60lbs
47" x 25" x 18"	Linear Burner	TOR-PHOEN47X25/TRGH-MLFPK-NG	65k	\$14,353.00	2 bags	60lbs



SIERRA



PHOENIX



EVOLUTION 360

COMPLETE FIRE FEATURES

HPC's Vesta award-winning fire & water feature. Available in a Fire on Water "H2Onfire" variant, the first of its kind to be certified in North America, passing stringent wind, rain, and combustion tests.

Installation Considerations

- Ensure bowl is placed on level ground or utilize leg levellers
- When building enclosure, allow for maintenance access
- The Evolution 360 must be winterized



BENEFITS

- Remote control w/ auto re-light
- Operates under 1/4 psi, allowing for residential installations

FEATURES

- LED lighting
- Available with water scuppers or 360 degree water flow
- Adjustable levelling feet

SPECIFICATIONS

- Includes basin, 26" copper water bowl, and EI fire pit

* Optional remote available: 578-G4

Evolution 360 - Electronic Ignition

Bowl Size	Bowl Type	SKU - STANDARD BURNER	BTU	MSRP	Rock	Glass
ø 52" x 30"	4 Scupper	WB52R-TEMP4-EI-NG	90k	\$12,808.00	1 bag	20lbs
ø 52" x 30"	360	WB52R-TEMP360-EI-NG	90k	\$13,852.00	1 bag	20lbs



H2Ofire - Electronic Ignition

Bowl Size	Bowl Type	SKU - STANDARD BURNER	BTU	MSRP	Rock	Glass
ø 52" x 30"	Copper	FOW52R-CYPRUS360-EI-NG	65k	\$15,847.00	1 bag	20lbs



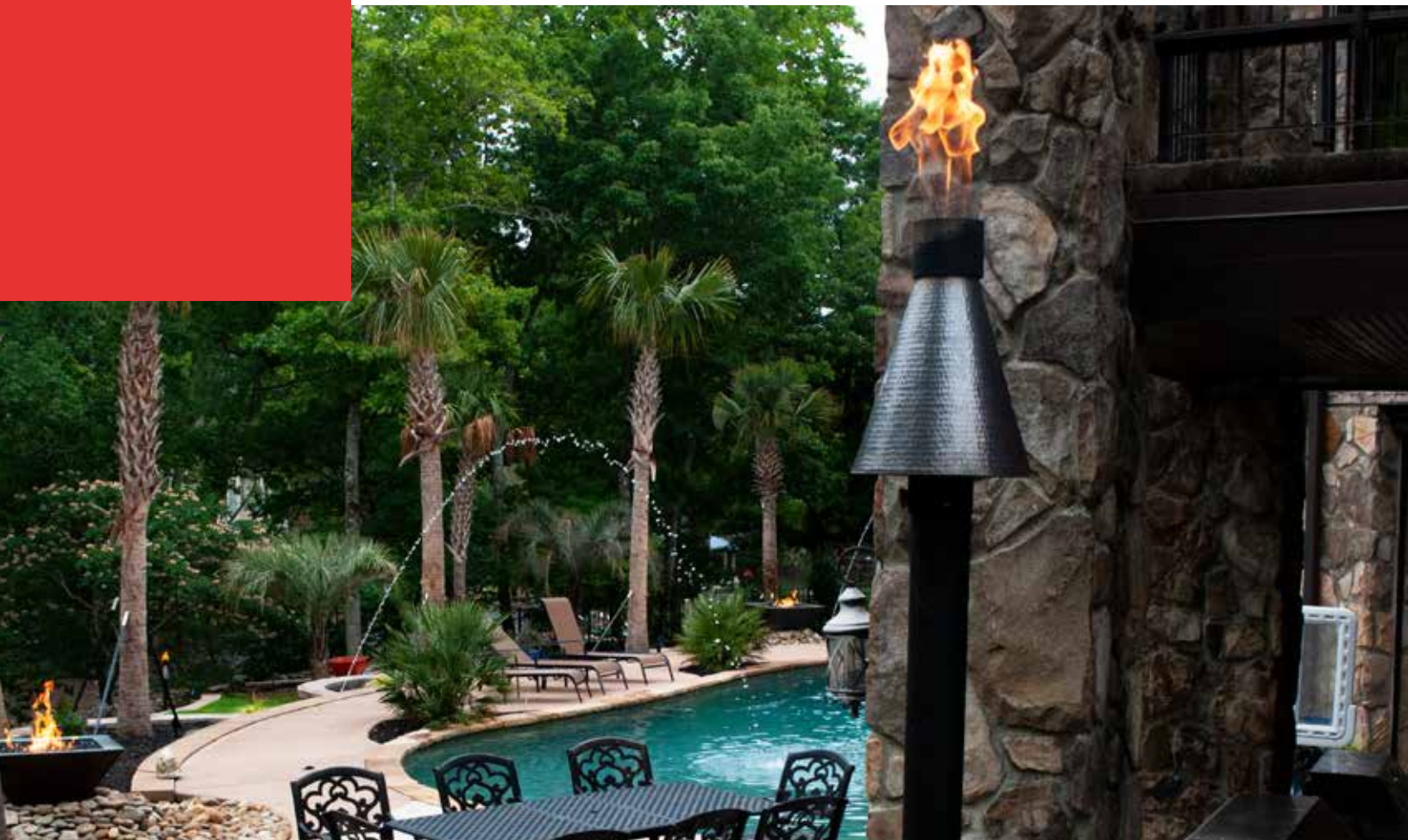
TK TORCH

COMPLETE FIRE FEATURES

Now with our new, patented **SmartArc ignition technology**, our TK Torches bring resort style living to your backyard without having to handle fuel or gels. They are robust, reliable, and built to last.

Installation Considerations

- 12" of the pole is to be buried underground



BENEFITS

- Sturdy torch pole / cap while maintaining a classic look
- Powerful flame for size
- Hardy SmartARC ignition technology

FEATURES

- Black powder coated pole
- Hammered copper or powder coated black torch head
- Easy-to-use match lit controls are just like lighting a candle

SPECIFICATIONS

- 96" post (when applicable)
- Burner assembly is #304 stainless steel for durability

NEW SmartARC TECHNOLOGY

HPC proudly presents its next evolution in outdoor ignition technology: SmartArc, an electronic tiki torch. This CSA-certified fire feature requires a **30-volt DC power** supply system that does not require flame rectification for operation and does not require a thermocouple or pilot flame. The system monitors the ignition's voltage and current output to maintain the flame. Available for both natural gas and liquid propane applications!

Using the SmartARC Tk Torch is simple: it can be turned on with a wall switch or the toggle switch on the bottom of the baseplate. Once installed, the system is ready to run within minutes!

🔥 EI Series - SmartARC Electronic Ignition - HLG-185H-30 POWER SUPPLY REQUIRED

Finish	Style	Bowl Size	SKU	BTU	MSRP
Black	Head + EI Controls	ø 9" x 96"	TK-EI-B-NG	10k	\$1,438.00
Copper	Head + EI Controls	ø 9" x 96"	TK-EI-C-NG	10k	\$1,554.00

🔥 SmartARC Components

Description	SKU	MSRP
Accessory kit, including post, mount, gas hose, and cover.	TK-ACC-KIT	\$956.00
Power supply. 30VDC, 185W, single circuit. Required, but not included.	HLG-185H-30	\$722.00
Control Module	314-SAMOD-TK	\$332.00
Igniter	940-SAI-10	\$25.00

🔥 MLFPK Series - Match Lit Ignition

Finish	Style	Bowl Size	SKU	BTU	MSRP
Black	Post Included	ø 9" x 96"	TK40MAN-B-NG	25k	\$1,027.00
Black	Head Only	ø 9" x 12"	TKHEAD40MAN-B-NG	25k	\$705.00
Copper	Post Included	ø 9" x 96"	TK40MAN-C-NG	25k	\$1,027.00
Copper	Head Only	ø 9" x 12"	TKHEAD40MAN-C-NG	25k	\$705.00



SmartARC ignition system



SPORT PIT

COMPLETE FIRE FEATURES

For tailgaters and outdoor adventurers alike, the Sport Pit is a safe, reliable, and portable fire pit.

Installation Considerations

- Ensure Sport Pit is placed on level ground
- HPC recommends at least 10ft of space between Sport Pit and propane tank



BENEFITS

- Extremely lightweight and portable
- Easy transportation with spin on lid and handle
- Fire glass included

FEATURES

- Tip-over switch for automatic shutoff
- LP tank covers are available

SPECIFICATIONS

- 13 hour burn time with 20lb tank
- Built-in regulator with 13 foot hose

Match Lit - Sport Pit

Finish	Bowl Size	SKU - STANDARD BURNER	BTU	MSRP
Black	ø 20" x13"	SPORTPIT20-BLK	37k	\$827.00

A FIRE PIT FOR THOSE WHO WANDER

The Sport Pit is the perfect fire pit for anyone who frequents tailgates or campgrounds. Lightweight, perfectly portable, and aesthetically pleasing, all while offering a solid flame, this fire pit makes a great gift. Customize it with a sticker from your favorite athletics team or outdoor brand and put it in the back of the camper! Includes lid with handle, fire glass, and hose for gas connection. Burns for 13 hours on a 20lb liquid propane tank.



LP Small Tank Cover

SKU	MSRP
ST-COVER	\$53.00

A logoed cover that fits over a small propane tank. Velcro flap allows hose access. Can be used with any LP model HPC products. Flat top can be used to set lightweight objects on top.



ROUND BOWL

CERTIFIED FIRE PIT INSERTS

Our CSA-certified fire pit inserts are made of durable stainless steel and designed to be the most efficient, safe, and impressive flame on the market.

Installation Considerations

- Minimum of 2" clearance between bottom of insert and ground is required
- 36"-48" clearance to combustibles (depending on size)
- Minimum two sides ventilated
- Minimum 50% free air space within enclosure
- 24VAC models require HPC/SEBCO 24VAC, 100W power supply for inserts ONLY



BENEFITS

- Bowl design includes 1.3" lip to rest over paving stones / enclosure. Depth to pan allows for better media retention
- Fully assembled, commercial grade, CSA-certified fire pit insert

FEATURES

- Raised hub for water mitigation
- Welded gas fitting for strength
- Weep holes for drainage
- Lifetime warranty on burners

SPECIFICATIONS

- Made of #304, 18 gauge stainless steel
- Standard flex line is 36" (when applicable)
- * EI On/Off remote control sold separately

Need LP or 24-Volt Models?

Change "NG" to "LP" in SKU for liquid propane applications
Change "120VAC" to "24VAC" in SKU for 24-V applications

Highlights = best sellers

HI/LO Series (Smart App Controlled) - Electronic Ignition

Insert Size**	Burner Sz.	SKU - STANDARD BURNER	BTU	MSRP	SKU - TORPEDO BURNER	BTU	MSRP	Rock	Glass
ø 13" x 10-1/4"	12" Round	13SSEI-HI/LO-NG/120VAC	90k	\$3,985.00	n/a	n/a	n/a	1 bag	20lbs
ø 19" x 10-1/4"	12"	PENTA19EI-HI/LO-NG/120VAC	65k	\$4,084.00	TOR-PENTA19EI-HI/LO-NG/120VAC	90k	\$4,492.00	2 bags	40lbs
ø 25" x 12-1/4"	18"	PENTA25EI-HI/LO-NG/120VAC	125k	\$4,329.00	TOR-PENTA25EI-HI/LO-NG/120VAC	140k	\$4,761.00	2 bags	60lbs
ø 31" x 12-1/4"	24"	PENTA31EI-HI/LO-NG/120VAC	200k	\$4,678.00	TOR-PENTA31EI-HI/LO-NG/120VAC	225k	\$5,146.00	2 bags	90lbs
ø 37" x 13-1/4"	30"	PENTA37EI-HI/LO-NG/120VAC	250k	\$5,580.00	TOR-PENTA37EI-HI/LO-NG/120VAC	275k	\$6,138.00	4 bags	120lbs
ø 43" x 14-1/4"	36"	PENTA43EI-HI/LO-NG/120VAC	400k	\$5,908.00	TOR-PENTA43EI-HI/LO-NG/120VAC	375k	\$6,204.00	4 bags	160lbs

ON/OFF Series - Electronic Ignition

Insert Size**	Burner Sz.	SKU - STANDARD BURNER	BTU	MSRP	SKU - TORPEDO BURNER	BTU	MSRP	Rock	Glass
ø 13" x 10-1/4"	12" Round	13SSEI-NG/120VAC	90k	\$3,378.00	n/a	n/a	n/a	1 bag	20lbs
ø 19" x 10-1/4"	12"	PENTA19EI-NG/120VAC	65k	\$3,472.00	TOR-PENTA19EI-NG/120VAC	90k	\$3,819.00	2 bags	40lbs
ø 25" x 12-1/4"	18"	PENTA25EI-NG/120VAC	125k	\$3,715.00	TOR-PENTA25EI-NG/120VAC	140k	\$4,086.00	2 bags	60lbs
ø 31" x 12-1/4"	24"	PENTA31EI-NG/120VAC	200k	\$4,055.00	TOR-PENTA31EI-NG/120VAC	225k	\$4,460.00	2 bags	90lbs
ø 37" x 13-1/4"	30"	PENTA37EI-NG/120VAC	250k	\$4,943.00	TOR-PENTA37EI-NG/120VAC	275k	\$5,437.00	4 bags	120lbs
ø 43" x 14-1/4"	36"	PENTA43EI-NG/120VAC	400k	\$5,333.00	TOR-PENTA43EI-NG/120VAC	375k	\$5,866.00	4 bags	160lbs

FPPK Series - Push-Button Ignition

Insert Size*	Burner Sz.	SKU - STANDARD BURNER	BTU	MSRP	SKU - TORPEDO BURNER	BTU	MSRP	Rock	Glass
ø 13" x 6-1/2"	12" Round	FPPK13-FLEX-NG	90k	\$1,479.00	n/a	n/a	n/a	1 bag	20lbs
ø 19" x 6-1/2"	12"	PENTA19FPPK-FLEX-NG	65k	\$1,831.00	TOR-PENTA19FPPK-FLEX-NG	65k	\$2,198.00	2 bags	40lbs
ø 25" x 6-1/2"	18"	PENTA25FPPK-FLEX-NG	125k	\$2,052.00	TOR-PENTA25FPPK-FLEX-NG	140k	\$2,463.00	2 bags	60lbs
ø 31" x 6-1/2"	24"	PENTA31FPPK-FLEX-NG	200k	\$2,280.00	TOR-PENTA31FPPK-FLEX-NG	185k	\$2,735.00	2 bags	90lbs
ø 37" x 6-1/2"	30"	PENTA37FPPK-FLEX-NG	250k	\$2,707.00	TOR-PENTA37FPPK-FLEX-NG	185k	\$3,248.00	4 bags	120lbs

FPPK Series - Push-Button Ignition - Small Tank

Insert Size*	Burner Sz.	SKU - STANDARD BURNER	BTU	MSRP	SKU - TORPEDO BURNER	BTU	MSRP	Rock	Glass
ø 13" x 6-1/2"	12" Round	FPPK13-FLEX-LP-ST	90k	\$1,613.00	n/a	n/a	n/a	1 bag	20lbs
ø 19" x 6-1/2"	12"	PENTA19FPPK-FLEX-LP-ST	65k	\$1,966.00	TOR-PENTA19FPPK-FLEX-LP-ST	65k	\$2,359.00	2 bags	40lbs
ø 25" x 6-1/2"	18"	PENTA25FPPK-FLEX-LP-ST	90k	\$2,187.00	TOR-PENTA25FPPK-FLEX-LP-ST	90k	\$2,624.00	2 bags	60lbs

MLFPK Series - Match-Lit Ignition

Insert Size*	Burner Sz.	SKU - STANDARD BURNER	BTU	MSRP	SKU - TORPEDO BURNER	BTU	MSRP	Rock	Glass
ø 13" x 6-1/2"	12"	PENTA13 MLFPK-FLEX-NG	65k	\$789.00	TOR-PENTA13 MLFPK-FLEX-NG	65k	\$947.00	1 bag	20lbs
ø 19" x 6-1/2"	12"	PENTA19 MLFPK-FLEX-NG	65k	\$888.00	TOR-PENTA19 MLFPK-FLEX-NG	65k	\$1,065.00	2 bags	40lbs
ø 25" x 6-1/2"	18"	PENTA25 MLFPK-FLEX-NG	65k	\$1,088.00	TOR-PENTA25 MLFPK-FLEX-NG	65k	\$1,305.00	2 bags	60lbs
ø 31" x 6-1/2"	18"	PENTA31 MLFPK-FLEX-NG	65k	\$1,174.00	TOR-PENTA31 MLFPK-FLEX-NG	65k	\$1,409.00	2 bags	90lbs

MLFPK Series - Match-Lit Ignition - Small Tank

Insert Size*	Burner Sz.	SKU - STANDARD BURNER	BTU	MSRP	SKU - TORPEDO BURNER	BTU	MSRP	Rock	Glass
ø 13" x 6-1/2"	12"	PENTA13 MLFPK-FLEX-LP-ST	65k	\$953.00	TOR-PENTA13 MLFPK-FLEX-LP-ST	65k	\$1,144.00	1 bag	20lbs
ø 19" x 6-1/2"	18"	PENTA19 MLFPK-FLEX-LP-ST	65k	\$1,061.00	TOR-PENTA19 MLFPK-FLEX-LP-ST	65k	\$1,273.00	2 bags	40lbs
ø 25" x 6-1/2"	18"	PENTA25 MLFPK-FLEX-LP-ST	65k	\$1,255.00	TOR-PENTA25 MLFPK-FLEX-LP-ST	65k	\$1,506.00	2 bags	60lbs
ø 31" x 6-1/2"	18"	PENTA31 MLFPK-FLEX-LP-ST	65k	\$1,339.00	TOR-PENTA31 MLFPK-FLEX-LP-ST	65k	\$1,606.00	2 bags	90lbs

*Insert Size: Insert height includes 2-1/2" pan depth.

**EI Models: Listed height is for standard burner models only. All Torpedo EI fire pits are 9-1/2" tall including pan.



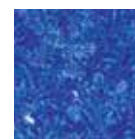
Electronic Ignition
Components: pg 93, 94



Push Button Ignition
Components: pg 93, 95



Match Lit Ignition
Components: pg 93



Media
pg 82



Covers
pg 84



Wind Guards
pg 86



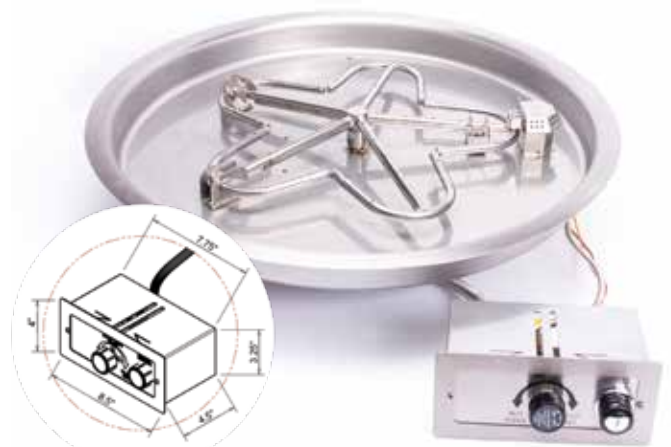


ELECTRONIC IGNITION / EI



ON/OFF models provide plug-and-play operation. Optional remote-activated switches are available. The HI/LO models can be controlled via Bluetooth and allows for adjustable flame height. Flame height can also be set on install with trimmer valve.

PUSH BUTTON IGNITION / FPPK



Push button fire pits are controlled with a simple knob and button on a stainless steel valve box. FPPK models feature a flame-sensing system that automatically turns the gas off if the flame is extinguished.

MATCH LIT IGNITION / MLFPK



Match lit fire pits are ignited simply by turning the key valve and lighting the gas with a lighter.

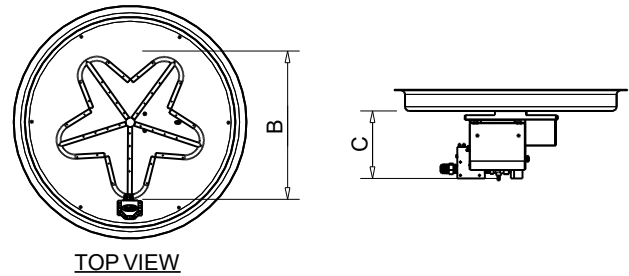
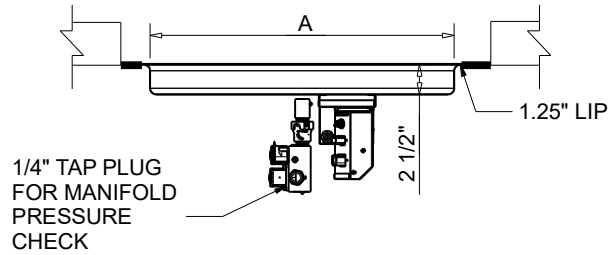
ROUND BOWL (cont.)

Electronic Ignition - Specifications

PENTA BURNER							
PART NUMBER*		BTU		DIMENSION CHART			
		PENTA	TORPEDO	A"	B"	C" (+/- 1/2")	
						PENTA	TORPEDO
TOR-	PENTA19EI	65K	90k	19	12	7-3/4	7-3/4
TOR-	PENTA25EI	125K	140k	25	18	9-3/4	7-3/4
TOR-	PENTA31EI	200K	225k	31	24	9-3/4	7-3/4
TOR-	PENTA37EI	250K	275k	37	30	10-3/4	7-3/4
TOR-	PENTA43EI	400K	375K	43	36	11-3/4	7-3/4

*FOR TORPEDO BURNERS ADD TOR-

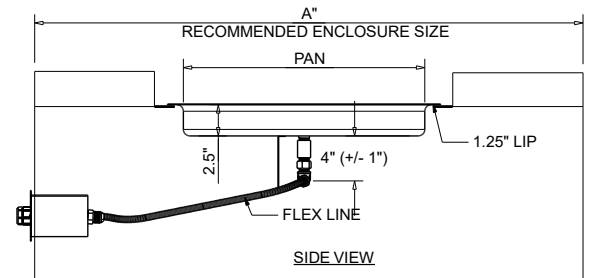
ROUND BURNER				
PART NUMBER	STANDARD BTU	DIMENSION CHART		
		A"	B"	C" (+/- 1/2")
13SSEI	90K	13	12	7-3/4



Push Button Ignition - Specifications

PART NUMBERS		DIMENSION CHART				
PENTA BURNER		PAN	STANDARD BTU		A"	STND FLEX LINE LENGTH
			PENTA	TORPEDO		
TOR-	PENTA19-FPPK-FLEX	19"	65K	90K	45"	36"
TOR-	PENTA25-FPPK-FLEX	25"	125K	140K	54"	36"
TOR-	PENTA31-FPPK-FLEX	31"	200K	185K	54"	36"
TOR-	PENTA37-FPPK-FLEX	37"	250K	185K	54"	36"

PART NUMBER		DIMENSION CHART			
ROUND BURNER		PAN	STANDARD BTU	A"	STND FLEX LINE LENGTH
FPPK13-FLEX					

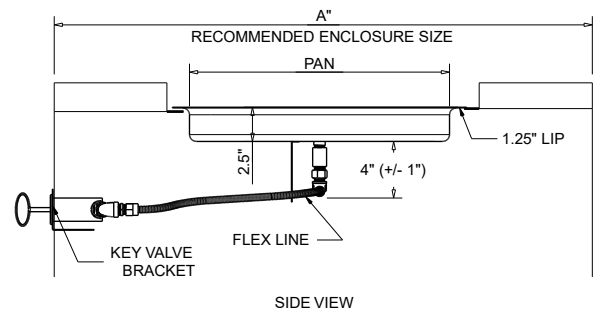


Match Lit Ignition - Specifications

MATERIAL: 304 STAINLESS STEEL

PART NUMBER		DIMENSION CHART				
PENTA BURNER		PAN	STANDARD BTU		A"	STND FLEX LINE LENGTH
			PENTA	TORPEDO		
TOR-	PENTA13MLFPPK-FLEX	13"	65K	65K	45"	36"
TOR-	PENTA19MLFPPK-FLEX	19"	65K	65K	45"	36"
TOR-	PENTA25MLFPPK-FLEX	25"	65K	65K	54"	36"
TOR-	PENTA31MLFPPK-FLEX	31"	65K	65K	54"	36"

*FOR TORPEDO BURNERS ADD TOR-



SIDE VIEW

ROUND FLAT

CERTIFIED FIRE PIT INSERTS

Our CSA-certified fire pit inserts are made of durable stainless steel and designed to be the most efficient, safe, and impressive flame on the market.

Installation Considerations

- Minimum of 2" clearance between bottom of insert and ground is required
- 36"-48" clearance to combustibles (depending on size)
- Minimum two sides ventilated
- Minimum 50% free air space within enclosure
- 24VAC models require HPC/SEBCO 24VAC, 100W power supply for inserts ONLY



BENEFITS

- Economical, flat design. Meant for a recess mount within an enclosure
- Fully assembled, commercial grade, CSA-certified fire pit insert

FEATURES

- Raised hub for water mitigation
- Welded gas fitting for strength
- Weep holes for drainage
- Lifetime warranty on burners

SPECIFICATIONS

- Made of #304, 18 gauge stainless steel
- Standard flex line is 36" (when applicable)
- * EI On/Off remote control sold separately

Highlights = best sellers

Need LP or 24-Volt Models?

Change "NG" to "LP" in SKU for liquid propane applications
Change "120VAC" to "24VAC" in SKU for 24-V applications

HI/LO Series (Smart App Controlled) - Electronic Ignition

Insert Size**	Burner Sz.	SKU - STANDARD BURNER	BTU	MSRP	SKU - TORPEDO BURNER	BTU	MSRP	Rock	Glass
ø 14" x 7-3/4"	12" Round	14FSSEI-HI/LO-NG/120VAC	90k	\$3,901.00	n/a	n/a	n/a	1 bag	30lbs
ø 18" x 7-3/4"	12"	PENTA18EI-HI/LO-NG/120VAC	65k	\$4,066.00	TOR-PENTA18EI-HI/LO-NG/120VAC	90k	\$4,472.00	2 bags	30lbs
ø 24" x 9-3/4"	18"	PENTA24EI-HI/LO-NG/120VAC	125k	\$4,248.00	TOR-PENTA24EI-HI/LO-NG/120VAC	140k	\$4,673.00	2 bags	50lbs
ø 30" x 9-3/4"	24"	PENTA30EI-HI/LO-NG/120VAC	200k	\$4,478.00	TOR-PENTA30EI-HI/LO-NG/120VAC	225k	\$4,926.00	2 bags	80lbs
ø 36" x 10-3/4"	30"	PENTA36EI-HI/LO-NG/120VAC	250k	\$4,920.00	TOR-PENTA36EI-HI/LO-NG/120VAC	275k	\$5,412.00	4 bags	110lbs
ø 42" x 11-3/4"	36"	PENTA42EI-HI/LO-NG/120VAC	400k	\$5,512.00	TOR-PENTA42EI-HI/LO-NG/120VAC	375k	\$6,063.00	4 bags	150lbs
ø 54" x 11-3/4"	48"	PENTA54EI-HI/LO-NG/120VAC	400k	\$5,845.00	TOR-PENTA54EI-HI/LO-NG/120VAC	400k	\$6,430.00	6 bags	250lbs

ON/OFF Series - Electronic Ignition

Insert Size**	Burner Sz.	SKU - STANDARD BURNER	BTU	MSRP	SKU - TORPEDO BURNER	BTU	MSRP	Rock	Glass
ø 14" x 7-3/4"	12" Round	14FSSEI-NG/120VAC	90k	\$3,299.00	n/a	n/a	n/a	1 bag	30lbs
ø 18" x 7-3/4"	12"	PENTA18EI-NG/120VAC	65k	\$3,457.00	TOR-PENTA18EI-NG/120VAC	90k	\$3,802.00	2 bags	30lbs
ø 24" x 9-3/4"	18"	PENTA24EI-NG/120VAC	125k	\$3,636.00	TOR-PENTA24EI-NG/120VAC	140k	\$3,999.00	2 bags	50lbs
ø 30" x 9-3/4"	24"	PENTA30EI-NG/120VAC	200k	\$3,861.00	TOR-PENTA30EI-NG/120VAC	225k	\$4,248.00	2 bags	80lbs
ø 36" x 10-3/4"	30"	PENTA36EI-NG/120VAC	250k	\$4,298.00	TOR-PENTA36EI-NG/120VAC	275k	\$4,728.00	4 bags	110lbs
ø 42" x 11-3/4"	36"	PENTA42EI-NG/120VAC	400k	\$5,090.00	TOR-PENTA42EI-NG/120VAC	375k	\$5,599.00	4 bags	150lbs
ø 54" x 11-3/4"	48"	PENTA54EI-NG/120VAC	400k	\$5,884.00	TOR-PENTA54EI-NG/120VAC	400k	\$6,473.00	6 bags	250lbs

FPPK Series - Push-Button Ignition

Insert Size	Burner Sz.	SKU - STANDARD BURNER	BTU	MSRP	SKU - TORPEDO BURNER	BTU	MSRP	Rock	Glass
ø 14" x 4-1/2"	12" Round	FPPK14-FLEX-NG	90k	\$1,458.00	n/a	n/a	n/a	1 bag	30lbs
ø 18" x 4-1/2"	12"	PENTA18FPPK-FLEX-NG	65k	\$1,581.00	TOR-PENTA18FPPK-FLEX-NG	90k	\$1,897.00	2 bags	30lbs
ø 24" x 4-1/2"	18"	PENTA24FPPK-FLEX-NG	125k	\$1,799.00	TOR-PENTA24FPPK-FLEX-NG	140k	\$2,590.00	2 bags	50lbs
ø 30" x 4-1/2"	24"	PENTA30FPPK-FLEX-NG	200k	\$2,017.00	TOR-PENTA30FPPK-FLEX-NG	185k	\$2,420.00	2 bags	80lbs
ø 36" x 4-1/2"	30"	PENTA36FPPK-FLEX-NG	250k	\$2,545.00	TOR-PENTA36FPPK-FLEX-NG	185k	\$3,054.00	4 bags	110lbs

FPPK Series - Push-Button Ignition - Small Tank

Insert Size	Burner Sz.	SKU - STANDARD BURNER	BTU	MSRP	SKU - TORPEDO BURNER	BTU	MSRP	Rock	Glass
ø 14" x 4-1/2"	12" Round	FPPK14-FLEX-LP-ST	90k	\$1,592.00	n/a	n/a	n/a	1 bag	30lbs
ø 18" x 4-1/2"	12"	PENTA18FPPK-FLEX-LP-ST	65k	\$1,715.00	TOR-PENTA18FPPK-FLEX-LP-ST	65k	\$2,058.00	2 bags	30lbs
ø 24" x 4-1/2"	18"	PENTA24FPPK-FLEX-LP-ST	90k	\$1,933.00	TOR-PENTA24FPPK-FLEX-LP-ST	90k	\$2,320.00	2 bags	50lbs

MLFPK Series - Match-Lit Ignition

Insert Size	Burner Sz.	SKU - STANDARD BURNER	BTU	MSRP	SKU - TORPEDO BURNER	BTU	MSRP	Rock	Glass
ø 8" x 4-1/2"	6" Round	MLFPK8-FLEX-NG	65k	\$428.00	n/a	n/a	n/a	1 bag	10lbs
ø 14" x 4-1/2"	12"	PENTA14 MLFPK-FLEX-NG	65k	\$664.00	TOR-PENTA14 MLFPK-FLEX-NG	65k	\$796.00	1 bag	30lbs
ø 18" x 4-1/2"	12"	PENTA18 MLFPK-FLEX-NG	65k	\$676.00	TOR-PENTA18 MLFPK-FLEX-NG	65k	\$811.00	2 bags	30lbs
ø 24" x 4-1/2"	18"	PENTA24 MLFPK-FLEX-NG	65k	\$852.00	TOR-PENTA24 MLFPK-FLEX-NG	65k	\$1,022.00	2 bags	50lbs
ø 30" x 4-1/2"	18"	PENTA30 MLFPK-FLEX-NG	65k	\$956.00	TOR-PENTA30 MLFPK-FLEX-NG	65k	\$1,147.00	2 bags	80lbs

MLFPK Series - Match-Lit Ignition - Small Tank

Insert Size	Burner Sz.	SKU - STANDARD BURNER	BTU	MSRP	SKU - TORPEDO BURNER	BTU	MSRP	Rock	Glass
ø 8" x 4-1/2"	6" Round	MLFPK8-FLEX-LP-ST	65k	\$592.00	n/a	n/a	n/a	1 bag	10lbs
ø 14" x 4-1/2"	12"	PENTA14 MLFPK-FLEX-LP-ST	65k	\$828.00	TOR-PENTA14 MLFPK-FLEX-LP-ST	65k	\$993.00	1 bag	30lbs
ø 18" x 4-1/2"	12"	PENTA18 MLFPK-FLEX-LP-ST	65k	\$840.00	TOR-PENTA18 MLFPK-FLEX-LP-ST	65k	\$1,008.00	2 bags	30lbs
ø 24" x 4-1/2"	18"	PENTA24 MLFPK-FLEX-LP-ST	65k	\$1,016.00	TOR-PENTA24 MLFPK-FLEX-LP-ST	65k	\$1,219.00	2 bags	50lbs
ø 30" x 4-1/2"	18"	PENTA30 MLFPK-FLEX-LP-ST	65k	\$1,124.00	TOR-PENTA30 MLFPK-FLEX-LP-ST	65k	\$1,348.00	2 bags	80lbs

**EI Models: Listed height is for standard burner models only. All Torpedo EI fire pits are 7-3/4" for flat pans.



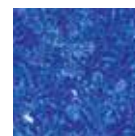
Electronic Ignition
Components: pg 93, 94



Push Button Ignition
Components: pg 93, 95



Match Lit Ignition
Components: pg 93



Media
pg 82



Covers
pg 84



Wind Guards
pg 86

SCAN FOR INSTRUCTIONS AND DRAWINGS
hpcfire.com/product-references/



Install Confidence™ 41

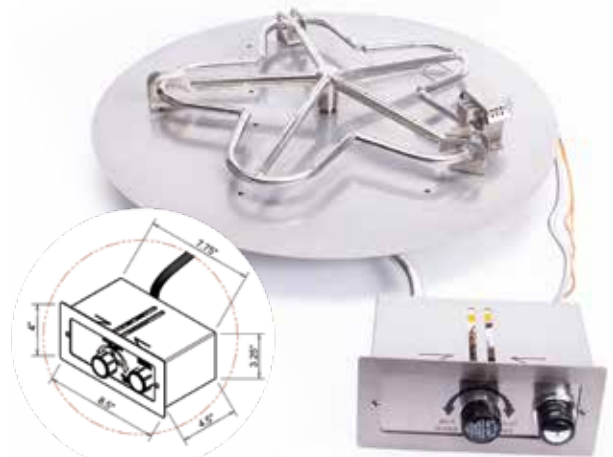


ELECTRONIC IGNITION / EI



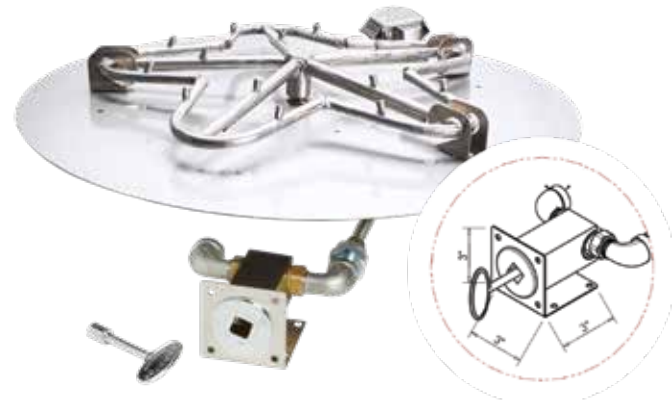
ON/OFF models provide plug-and-play operation. Optional remote-activated switches are available. The HI/LO models can be controlled via Bluetooth and allows for adjustable flame height. Flame height can also be set on install with trimmer valve.

PUSH BUTTON IGNITION / FPPK



Push button fire pits are controlled with a simple knob and button on a stainless steel valve box. FPPK models feature a flame-sensing system that automatically turns the gas off if the flame is extinguished.

MATCH LIT IGNITION / MFPK



Match lit fire pits are ignited simply by turning the key valve and lighting the gas with a lighter.

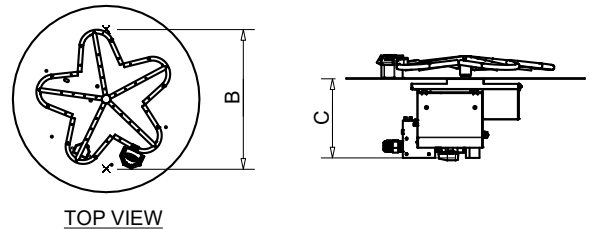
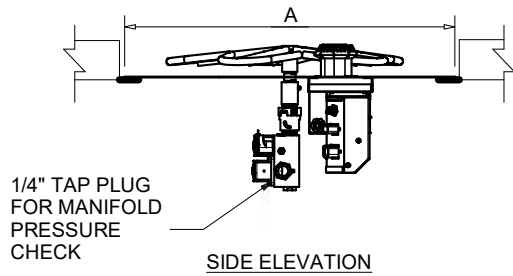
ROUND FLAT (cont.)

Electronic Ignition - Specifications

PENTA BURNER							
PART NUMBER*	BTU		DIMENSION CHART				
	PENTA	TORPEDO	A"	B"	C" (+/- 1/2")		
					PENTA	TORPEDO	
TOR- PENTA18EI	65K	90k	18	12	7-3/4	7-3/4	
TOR- PENTA24EI	125K	140k	24	18	9-3/4	7-3/4	
TOR- PENTA30EI	200K	225k	30	24	9-3/4	7-3/4	
TOR- PENTA36EI	250K	275k	36	30	10-3/4	7-3/4	
TOR- PENTA42EI	400K	375K	42	36	11-3/4	7-3/4	
TOR- PENTA54EI	400K	400K	54	48	11-3/4	7-3/4	

*FOR TORPEDO BURNERS ADD TOR-

ROUND BURNER				
PART NUMBER	BTU	DIMENSION CHART		
		A"	B"	C" (+/- 1/2")
14SSEI	90K	14	12	7-3/4

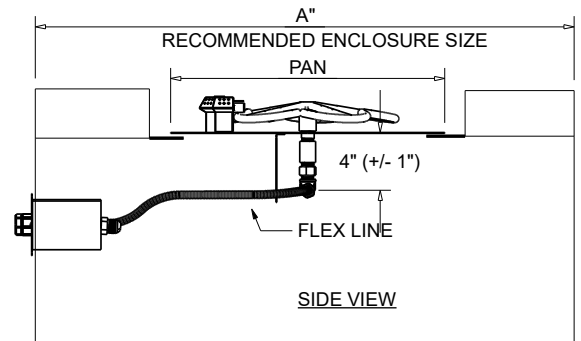


Push Button Ignition - Specifications

PART NUMBERS		DIMENSION CHART				
PENTA BURNER		PAN	STANDARD BTU		A"	STND FLEX LINE LENGTH
TOR-	PENTA		PENTA	TORPEDO		
TOR-	PENTA18-FPPK-FLEX	17.75"	65K	90K	45"	36"
TOR-	PENTA24-FPPK-FLEX	23.75"	125K	140K	54"	36"
TOR-	PENTA30-FPPK-FLEX	29.75"	200K	185K	54"	36"
TOR-	PENTA36-FPPK-FLEX	35.75"	250K	185K	54"	36"

PART NUMBERS		DIMENSION CHART			
ROUND BURNER		PAN	STANDARD BTU	A"	STND FLEX LINE LENGTH
FPPK14-FLEX					

*FOR TORPEDO BURNERS ADD TOR-

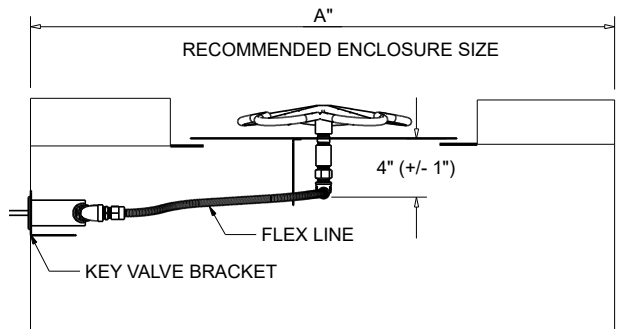


Match Lit Ignition - Specifications

PART NUMBER		DIMENSION CHART				
PENTA BURNER		PAN	STANDARD BTU		A"	STND FLEX LINE LENGTH
TOR-	PENTA		PENTA	TORPEDO		
TOR-	PENTA14MLFPPK-FLEX	13.75"	65K	65K	45"	36"
TOR-	PENTA18MLFPPK-FLEX	17.75"	65K	65K	45"	36"
TOR-	PENTA24MLFPPK-FLEX	23.75"	65K	65K	54"	36"
TOR-	PENTA30MLFPPK-FLEX	29.75"	65K	65K	54"	36"

PART NUMBER		DIMENSION CHART			
ROUND BURNER		PAN	STANDARD BTU	A"	STND FLEX LINE LENGTH
MLFPPK8-FLEX					

*FOR TORPEDO BURNERS ADD TOR-



SQUARE BOWL

CERTIFIED FIRE PIT INSERTS

Our CSA-certified fire pit inserts are made of durable stainless steel and designed to be the most efficient, safe, and impressive flame on the market.

Installation Considerations

- Minimum of 2" clearance between bottom of insert and ground is required
- 36"-48" clearance to combustibles (depending on size)
- Minimum two sides ventilated
- Minimum 50% free air space within enclosure
- 24VAC models require HPC/SEBCO 24VAC, 100W power supply for inserts ONLY



BENEFITS

- Bowl design includes 1.3" lip to rest over paving stones / enclosure. Depth to pan allows for better media retention
- Fully assembled, commercial grade, CSA-certified fire pit insert

FEATURES

- Raised hub for water mitigation
- Welded gas fitting for strength
- Weep holes for drainage
- Lifetime warranty on burners

SPECIFICATIONS

- Made of #304, 18 gauge stainless steel
- Standard flex line is 36" (when applicable)
- * EI On/Off remote control sold separately

Highlights = best sellers

Need LP or 24-Volt Models?

Change "NG" to "LP" in SKU for liquid propane applications
Change "120VAC" to "24VAC" in SKU for 24-V applications

HI/LO Series (Smart App Controlled) - Electronic Ignition

Insert Size**	Burner Sz.	SKU - STANDARD BURNER	BTU	MSRP	SKU - TORPEDO BURNER	BTU	MSRP	Rock	Glass
18" x 18" x 10-1/4"	12"	18SSEI-SQBL-HI/LO-NG/120VAC	65k	\$4,230.00	TOR-18SSEI-SQBL-HI/LO-NG/120V	90k	\$5,076.00	2 bags	40lbs
24" x 24" x 12-1/4"	18"	24SSEI-SQBL-HI/LO-NG/120VAC	125k	\$4,412.00	TOR-24SSEI-SQBL-HI/LO-NG/120V	140k	\$5,295.00	2 bags	70lbs
30" x 30" x 12-1/4"	24"	30SSEI-SQBL-HI/LO-NG/120VAC	200k	\$4,759.00	TOR-30SSEI-SQBL-HI/LO-NG/120V	225k	\$5,710.00	2 bags	110lbs
36" x 36" x 13-1/4"	30"	36SSEI-SQBL-HI/LO-NG/120VAC	250k	\$5,664.00	TOR-36SSEI-SQBL-HI/LO-NG/120V	275k	\$6,796.00	6 bags	150lbs

ON/OFF Series - Electronic Ignition

Insert Size**	Burner Sz.	SKU - STANDARD BURNER	BTU	MSRP	SKU - TORPEDO BURNER	BTU	MSRP	Rock	Glass
18" x 18" x 10-1/4"	12"	18SSEI-SQBL-NG/120VAC	65k	\$3,621.00	TOR-18SSEI-SQBL-NG/120VAC	90k	\$4,345.00	2 bags	40lbs
24" x 24" x 12-1/4"	18"	24SSEI-SQBL-NG/120VAC	125k	\$3,797.00	TOR-24SSEI-SQBL-NG/120VAC	140k	\$4,556.00	2 bags	70lbs
30" x 30" x 12-1/4"	24"	30SSEI-SQBL-NG/120VAC	200k	\$4,105.00	TOR-30SSEI-SQBL-NG/120VAC	225k	\$4,926.00	2 bags	110lbs
36" x 36" x 13-1/4"	30"	36SSEI-SQBL-NG/120VAC	250k	\$5,025.00	TOR-36SSEI-SQBL-NG/120VAC	275k	\$6,030.00	6 bags	150lbs
42" x 42" x 14-1/4"	36"	42SSEI-SQBL-NG/120VAC	400k	\$5,412.00	TOR-42SSEI-SQBL-NG/120VAC	375k	\$6,495.00	6 bags	190lbs

FPPK Series - Push-Button Ignition

Insert Size*	Burner Sz.	SKU - STANDARD BURNER	BTU	MSRP	SKU - TORPEDO BURNER	BTU	MSRP	Rock	Glass
18" x 18" x 6-1/2"	12"	FPPK18-SQBL-FLEX-NG	65k	\$1,736.00	TOR-FPPK18-SQBL-FLEX-NG	90k	\$2,083.00	2 bags	40lbs
24" x 24" x 6-1/2"	18"	FPPK24-SQBL-FLEX-NG	125k	\$1,921.00	TOR-FPPK24-SQBL-FLEX-NG	140k	\$2,305.00	2 bags	70lbs
30" x 30" x 6-1/2"	24"	FPPK30-SQBL-FLEX-NG	200k	\$2,256.00	TOR-FPPK30-SQBL-FLEX-NG	185k	\$2,707.00	2 bags	110lbs
36" x 36" x 6-1/2"	30"	FPPK36-SQBL-FLEX-NG	250k	\$2,731.00	TOR-FPPK36-SQBL-FLEX-NG	185k	\$3,277.00	6 bags	150lbs

FPPK Series - Push-Button Ignition - Small Tank

Insert Size*	Burner Sz.	SKU - STANDARD BURNER	BTU	MSRP	SKU - TORPEDO BURNER	BTU	MSRP	Rock	Glass
18" x 18" x 6-1/2"	12"	FPPK18-SQBL-FLEX-LP-ST	90k	\$1,870.00	TOR-FPPK18-SQBL-FLEX-LP-ST	90k	\$2,244.00	2 bags	40lbs
24" x 24" x 6-1/2"	18"	FPPK24-SQBL-FLEX-LP-ST	90k	\$2,056.00	TOR-FPPK24-SQBL-FLEX-LP-ST	90k	\$2,467.00	2 bags	70lbs

MLFPPK Series - Match-Lit Ignition

Insert Size*	Burner Sz.	SKU - STANDARD BURNER	BTU	MSRP	SKU - TORPEDO BURNER	BTU	MSRP	Rock	Glass
18" x 18" x 6-1/2"	12"	MLFPPK18SQBL-FLEX-NG	65k	\$717.00	TOR-MLFPPK18SQBL-FLEX-NG	65k	\$861.00	2 bags	40lbs
24" x 24" x 6-1/2"	18"	MLFPPK24SQBL-FLEX-NG	65k	\$956.00	TOR-MLFPPK24SQBL-FLEX-NG	65k	\$1,147.00	2 bags	70lbs
30" x 30" x 6-1/2"	24"	MLFPPK30SQBL-FLEX-NG	65k	\$1,076.00	TOR-MLFPPK30SQBL-FLEX-NG	65k	\$1,291.00	2 bags	110lbs

MLFPPK Series - Match-Lit Ignition - Small Tank

Insert Size*	Burner Sz.	SKU - STANDARD BURNER	BTU	MSRP	SKU - TORPEDO BURNER	BTU	MSRP	Rock	Glass
18" x 18" x 6-1/2"	12"	MLFPPK18SQBL-FLEX-LP-ST	65k	\$888.00	TOR-MLFPPK18SQBL-FLEX-LP-ST	65k	\$1,065.00	2 bags	40lbs
24" x 24" x 6-1/2"	18"	MLFPPK24SQBL-FLEX-LP-ST	65k	\$1,124.00	TOR-MLFPPK24SQBL-FLEX-LP-ST	65k	\$1,348.00	2 bags	70lbs
30" x 30" x 6-1/2"	24"	MLFPPK30SQBL-FLEX-LP-ST	65k	\$1,249.00	TOR-MLFPPK30SQBL-FLEX-LP-ST	65k	\$1,499.00	2 bags	110lbs

*Insert Size: Insert height includes 2-1/2" pan depth.

**EI Models: Listed height is for standard burner models only. All Torpedo EI fire pits are 9-1/2" tall including pan.



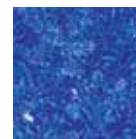
Electronic Ignition
Components: pg 93, 94



Push Button Ignition
Components: pg 93, 95



Match Lit Ignition
Components: pg 93



Media
pg 82



Covers
pg 84



Wind Guards
pg 86



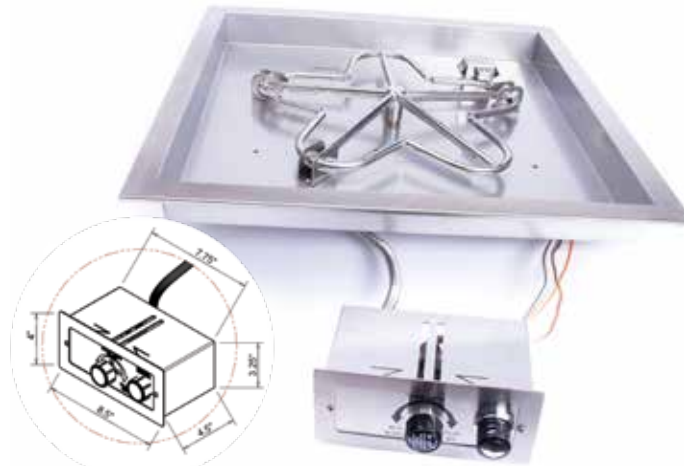


ELECTRONIC IGNITION / EI



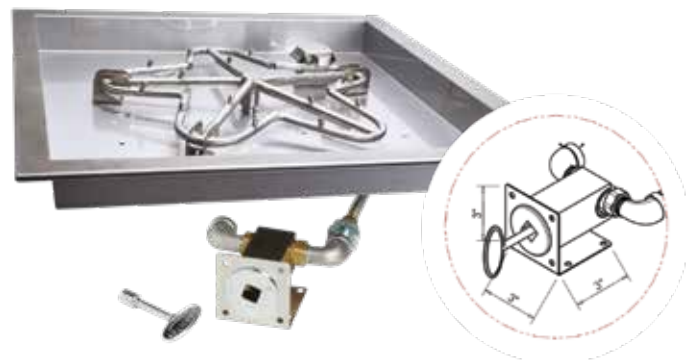
ON/OFF models provide plug-and-play operation. Optional remote-activated switches are available. The HI/LO models can be controlled via Bluetooth and allows for adjustable flame height. Flame height can also be set on install with trimmer valve.

PUSH BUTTON IGNITION / FPPK



Push button fire pits are controlled with a simple knob and button on a stainless steel valve box. FPPK models feature a flame-sensing system that automatically turns the gas off if the flame is extinguished.

MATCH LIT IGNITION / MLFPK



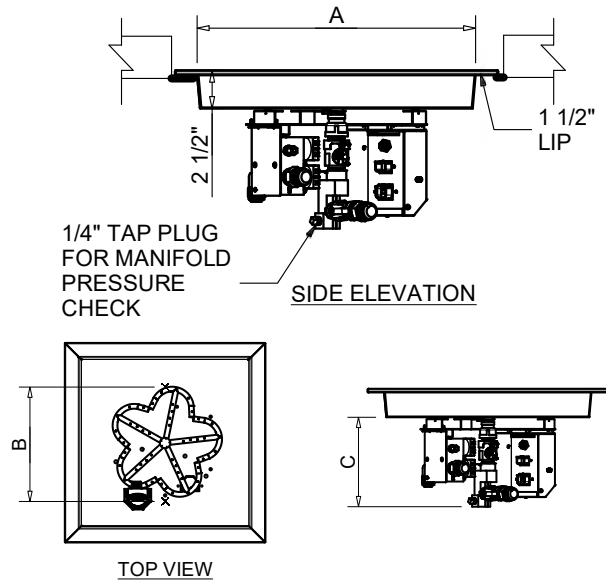
Match lit fire pits are ignited simply by turning the key valve and lighting the gas with a lighter.

SQUARE BOWL (cont.)

Electronic Ignition - Specifications

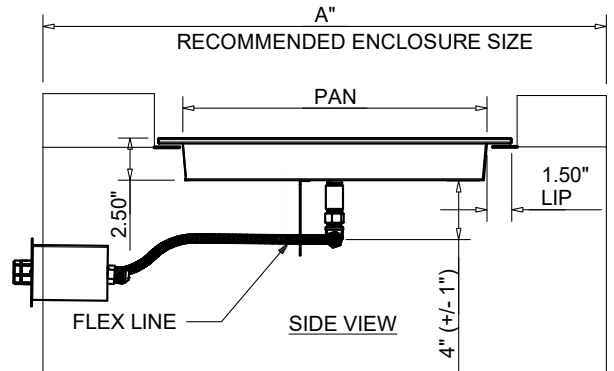
PART NUMBER*		BTU		DIMENSION CHART			
		PENTA	TOR	A"	B"	C" (+/- 1/2")	
						PENTA	TOR
TOR-	18SSEI-SQBL	65K	90K	18	12	7-3/4	7-3/4
TOR-	24SSEI-SQBL	125K	140K	24	18	9-3/4	7-3/4
TOR-	30SSEI-SQBL	200K	225K	30	24	9-3/4	7-3/4
TOR-	36SSEI-SQBL	250K	275K	36	30	10-3/4	7-3/4
TOR-	42SSEI-SQBL	400K	375K	42	36	11-3/4	7-3/4

*FOR TORPEDO BURNERS ADD TOR-



Push Button Ignition - Specifications

PART NUMBERS	DIMENSION CHART				
	PAN	PENTA	TORPEDO	A"	STND FLEX LINE LENGTH
		BTU	BTU		
FPPK18-SQBL-FLEX	18"X18"	90K	90K	45"	36"
FPPK24-SQBL-FLEX	24"X24"	150K	140K	54"	36"
FPPK30-SQBL-FLEX	30"X30"	250K	185K	54"	36"
FPPK36-SQBL-FLEX	36"X36"	250K	185K	54"	36"

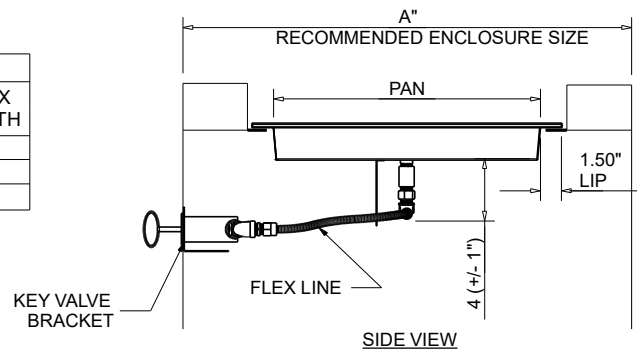


Match Lit Ignition - Specifications

MATERIAL: 304 STAINLESS STEEL

PART NUMBER		DIMENSION CHART				
		PAN	STANDARD BTU		A"	STND FLEX LINE LENGTH
			PENTA	TORPEDO		
TOR-	MLFPPK18-SQBL-FLEX	18"X18"	65K	65K	45"	36"
TOR-	MLFPPK24-SQBL-FLEX	24"X24"	65K	65K	54"	36"
TOR-	MLFPPK30-SQBL-FLEX	30"X30"	65K	65K	54"	36"

*FOR TORPEDO BURNERS ADD TOR-



SQUARE FLAT

CERTIFIED FIRE PIT INSERTS

Our CSA-certified fire pit inserts are made of durable stainless steel and designed to be the most efficient, safe, and impressive flame on the market.

Installation Considerations

- Minimum of 2" clearance between bottom of insert and ground is required
- 36"-48" clearance to combustibles (depending on size)
- Minimum two sides ventilated
- Minimum 50% free air space within enclosure
- 24VAC models require HPC/SEBCO 24VAC, 100W power supply for inserts ONLY



BENEFITS

- Economical, flat design. Meant for a recess mount within an enclosure
- Fully assembled, commercial grade, CSA-certified fire pit insert

FEATURES

- Raised hub for water mitigation
- Welded gas fitting for strength
- Weep holes for drainage
- Lifetime warranty on burners

SPECIFICATIONS

- Made of #304, 18 gauge stainless steel
- Standard flex line is 36" (when applicable)
- * EI On/Off remote control sold separately

Need LP or 24-Volt Models?

Change "NG" to "LP" in SKU for liquid propane applications
Change "120VAC" to "24VAC" in SKU for 24-V applications

Highlights = best sellers

🔥 HI/LO Series (Smart App Controlled) - Electronic Ignition

Insert Size**	Burner Sz.	SKU - STANDARD BURNER	BTU	MSRP	SKU - TORPEDO BURNER	BTU	MSRP	Rock	Glass
18" x 18" x 10-1/4"	12"	18FSSEI-SQ-HI/LO-NG/120VAC	65k	\$4,149.00	TOR-18FSSEI-SQ-HI/LO-NG/120VAC	90k	\$4,979.00	2 bags	40lbs
24" x 24" x 12-1/4"	18"	24FSSEI-SQ-HI/LO-NG/120VAC	125k	\$4,281.00	TOR-24FSSEI-SQ-HI/LO-NG/120VAC	140k	\$5,137.00	2 bags	70lbs
30" x 30" x 12-1/4"	24"	30FSSEI-SQ-HI/LO-NG/120VAC	200k	\$4,591.00	TOR-30FSSEI-SQ-HI/LO-NG/120VAC	225k	\$5,510.00	2 bags	100lbs
36" x 36" x 13-1/4"	30"	36FSSEI-SQ-HI/LO-NG/120VAC	250k	\$4,956.00	TOR-36FSSEI-SQ-HI/LO-NG/120VAC	275k	\$5,947.00	6 bags	140lbs

🔥 ON/OFF Series - Electronic Ignition

Insert Size**	Burner Sz.	SKU - STANDARD BURNER	BTU	MSRP	SKU - TORPEDO BURNER	BTU	MSRP	Rock	Glass
18" x 18" x 10-1/4"	12"	18FSSEI-SQ-NG/120VAC	65k	\$3,536.00	TOR-18FSSEI-SQ-NG/120VAC	90k	\$4,243.00	2 bags	40lbs
24" x 24" x 12-1/4"	18"	24FSSEI-SQ-NG/120VAC	125k	\$3,668.00	TOR-24FSSEI-SQ-NG/120VAC	140k	\$4,401.00	2 bags	70lbs
30" x 30" x 12-1/4"	24"	30FSSEI-SQ-NG/120VAC	200k	\$3,976.00	TOR-30FSSEI-SQ-NG/120VAC	225k	\$4,771.00	2 bags	100lbs
36" x 36" x 13-1/4"	30"	36FSSEI-SQ-NG/120VAC	250k	\$4,330.00	TOR-36FSSEI-SQ-NG/120VAC	275k	\$5,196.00	6 bags	140lbs
42" x 42" x 14-1/4"	36"	42FSSEI-SQ-NG/120VAC	400k	\$4,896.00	TOR-42FSSEI-SQ-NG/120VAC	400k	\$5,875.00	6 bags	190lbs

🔥 FPPK Series - Push-Button Ignition

Insert Size	Burner Sz.	SKU - STANDARD BURNER	BTU	MSRP	SKU - TORPEDO BURNER	BTU	MSRP	Rock	Glass
18" x 18" x 4-1/2"	12"	FPPK18-SQ-FLEX-NG	90k	\$1,652.00	TOR-FPPK18-SQ-FLEX-NG	90k	\$1,983.00	2 bags	40lbs
24" x 24" x 4-1/2"	18"	FPPK24-SQ-FLEX-NG	150k	\$1,784.00	TOR-FPPK24-SQ-FLEX-NG	140k	\$2,140.00	2 bags	70lbs
30" x 30" x 4-1/2"	24"	FPPK30-SQ-FLEX-NG	250k	\$2,085.00	TOR-FPPK30-SQ-FLEX-NG	185k	\$2,502.00	2 bags	100lbs
36" x 36" x 4-1/2"	30"	FPPK36-SQ-FLEX-NG	250k	\$2,441.00	TOR-FPPK36-SQ-FLEX-NG	185k	\$2,929.00	6 bags	140lbs

🔥 FPPK Series - Push-Button Ignition - Small Tank

Insert Size	Burner Sz.	SKU - STANDARD BURNER	BTU	MSRP	SKU - TORPEDO BURNER	BTU	MSRP	Rock	Glass
18" x 18" x 4-1/2"	12"	FPPK18-SQ-FLEX-LP-ST	90k	\$1,790.00	TOR-FPPK18-SQ-FLEX-LP-ST	90k	\$2,148.00	2 bags	40lbs
24" x 24" x 4-1/2"	18"	FPPK24-SQ-FLEX-LP-ST	90k	\$1,921.00	TOR-FPPK24-SQ-FLEX-LP-ST	90k	\$2,305.00	2 bags	70lbs

🔥 MLFPK Series - Match-Lit Ignition

Insert Size	Burner Sz.	SKU - STANDARD BURNER	BTU	MSRP	SKU - TORPEDO BURNER	BTU	MSRP	Rock	Glass
18" x 18" x 4-1/2"	12"	MLFPK18SQ-FLEX-NG	65k	\$637.00	TOR-MLFPK18SQ-FLEX-NG	65k	\$764.00	2 bags	40lbs
24" x 24" x 4-1/2"	18"	MLFPK24SQ-FLEX-NG	65k	\$834.00	TOR-MLFPK24SQ-FLEX-NG	65k	\$1,001.00	2 bags	70lbs
30" x 30" x 4-1/2"	24"	MLFPK30SQ-FLEX-NG	65k	\$947.00	TOR-MLFPK30SQ-FLEX-NG	65k	\$1,137.00	2 bags	100lbs

🔥 MLFPK Series - Match-Lit Ignition - Small Tank

Insert Size	Burner Sz.	SKU - STANDARD BURNER	BTU	MSRP	SKU - TORPEDO BURNER	BTU	MSRP	Rock	Glass
18" x 18" x 4-1/2"	12"	MLFPK18SQ-FLEX-LP-ST	65k	\$804.00	TOR-MLFPK18SQ-FLEX-LP-ST	65k	\$965.00	2 bags	40lbs
24" x 24" x 4-1/2"	18"	MLFPK24SQ-FLEX-LP-ST	65k	\$1,001.00	TOR-MLFPK24SQ-FLEX-LP-ST	65k	\$1,201.00	2 bags	70lbs
30" x 30" x 4-1/2"	24"	MLFPK30SQ-FLEX-LP-ST	65k	\$1,115.00	TOR-MLFPK30SQ-FLEX-LP-ST	65k	\$1,337.00	2 bags	100lbs

**EI Models: Listed height is for standard burner models only. All Torpedo EI fire pits are 7-3/4" for flat pans.



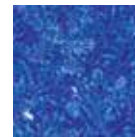
Electronic Ignition
Components: pg 93, 94



Push Button Ignition
Components: pg 93, 95



Match Lit Ignition
Components: pg 93



Media
pg 82



Covers
pg 84



Wind Guards
pg 86



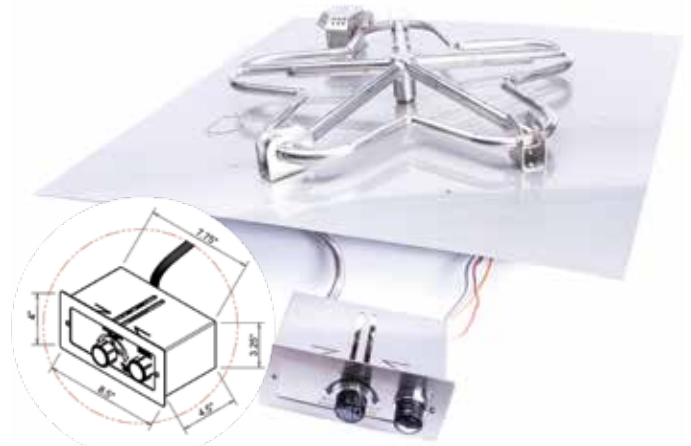


ELECTRONIC IGNITION / EI



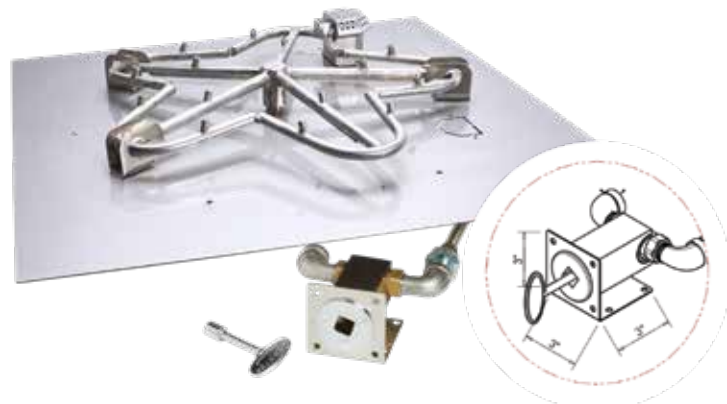
ON/OFF models provide plug-and-play operation. Optional remote-activated switches are available. The HI/LO models can be controlled via Bluetooth and allows for adjustable flame height. Flame height can also be set on install with trimmer valve.

PUSH BUTTON IGNITION / FPPK



Push button fire pits are controlled with a simple knob and button on a stainless steel valve box. FPPK models feature a flame-sensing system that automatically turns the gas off if the flame is extinguished.

MATCH LIT IGNITION / MLFPK



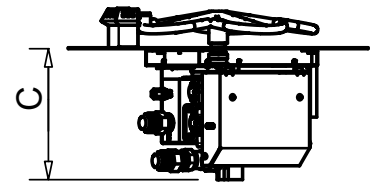
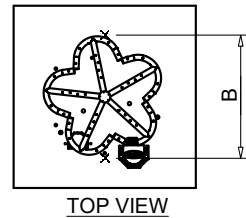
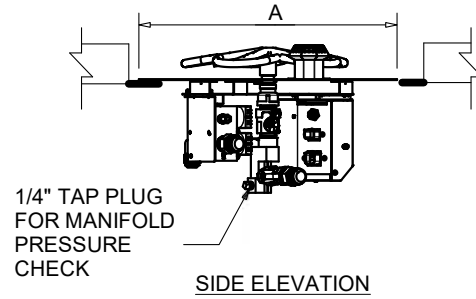
Match lit fire pits are ignited simply by turning the key valve and lighting the gas with a lighter.

SQUARE FLAT *(cont.)*

Electronic Ignition - Specifications

PART NUMBER*	BTU		DIMENSION CHART				
	PENTA	TORPEDO	A"	B"	C" (+/- 1/2")		
					PENTA	TORPEDO	
TOR- 18SSEI-SQ	90K	90K	18	12	7-3/4	7-3/4	
TOR- 24SSEI-SQ	150K	140K	24	18	9-3/4	7-3/4	
TOR- 30SSEI-SQ	250K	225K	30	24	9-3/4	7-3/4	
TOR- 36SSEI-SQ	300K	275K	36	30	10-3/4	7-3/4	
TOR- 42SSEI-SQ	400K	375K	42	36	11-3/4	7-3/4	

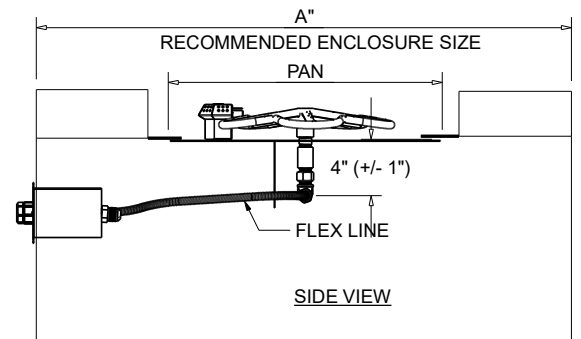
*FOR TORPEDO BURNERS ADD TOR-



Push Button Ignition - Specifications

PART NUMBER	PAN	DIMENSION CHART			
		STANDARD BTU		A"	STND FLEX LINE LENGTH
		PENTA	TORPEDO		
TOR- FPPK18-SQ-FLEX	18"X18"	90K	90K	45"	36"
TOR- FPPK24-SQ-FLEX	24"X24"	150K	140K	54"	36"
TOR- FPPK30-SQ-FLEX	30"X30"	250K	185K	54"	36"
TOR- FPPK36-SQ-FLEX	36"X36"	250K	185K	54"	36"

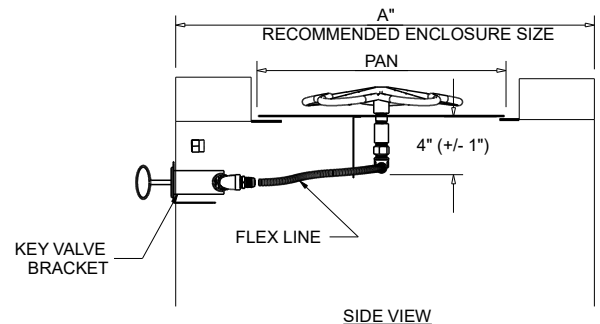
*FOR TORPEDO BURNERS ADD TOR-



Match Lit Ignition - Specifications

PART NUMBER	PAN	DIMENSION CHART			
		STANDARD BTU		A"	STND FLEX LINE LENGTH
		PENTA	TORPEDO		
TOR- MLFPPK18-SQ-FLEX	18"X18"	12"	65K	45"	36"
TOR- MLFPPK24-SQ-FLEX	24"X24"	18"	65K	54"	36"
TOR- MLFPPK30-SQ-FLEX	30"X30"	18"	65K	54"	36"

*FOR TORPEDO BURNERS ADD TOR-



H-BURNER

CERTIFIED FIRE PIT INSERTS

Our CSA-certified fire pit inserts are made of durable stainless steel and designed to be the most efficient, safe, and impressive flame on the market.

Installation Considerations

- Minimum of 2" clearance between bottom of insert and ground is required
- 36"-48" clearance to combustibles (depending on size)
- Minimum two sides ventilated
- Minimum 50% free air space within enclosure
- 24VAC models require HPC/SEBCO 24VAC, 100W power supply for inserts ONLY



BENEFITS

- Bowl design includes 1.3" lip to rest over paving stones / enclosure. Depth to pan allows for better media retention
- Fully assembled, commercial grade, CSA-certified fire pit insert

FEATURES

- Raised hub for water mitigation
- Welded gas fitting for strength
- Weep holes for drainage
- Lifetime warranty on burners

SPECIFICATIONS

- Made of #304, 18 gauge stainless steel
- Standard flex line is 36" (when applicable)
- * EI On/Off remote control sold separately

Need LP or 24-Volt Models?

Change "NG" to "LP" in SKU for liquid propane applications
Change "120V" to "24VAC" in SKU for 24-V applications

Highlights = best sellers

🔥 HI/LO Series (Smart App Controlled) - Electronic Ignition

Insert Size**	Burner Sz.	SKU - TORPEDO BURNER	BTU	MSRP	Rock	Glass
24" x 12" x 10-1/4"	18" x 6"	TOR-24X12SSEI-H-HI/LO-NG/120V	115k	\$5,492.00	2 bags	40lbs
30" x 12" x 10-1/4"	24" x 6"	TOR-30X12SSEI-H-HI/LO-NG/120V	150k	\$5,886.00	2 bags	40 lbs
36" x 14" x 10-1/4"	30" x 8"	TOR-36X14SSEI-H-HI/LO-NG/120V	175k	\$6,087.00	2 bags	60 lbs
42" x 14" x 10-1/4"	36" x 8"	TOR-42X14SSEI-H-HI/LO-NG/120V	200k	\$6,244.00	2 bags	70 lbs
54" x 16" x 10-1/4"	48" x 10"	TOR-54X16SSEI-H-HI/LO-NG/120V	250k	\$6,599.00	4 bags	100 lbs
66" x 16" x 10-1/4"	60" x 10"	TOR-66X16SSEI-H-HI/LO-NG/120V	300k	\$7,248.00	6 bags	120 lbs
78" x 16" x 10-1/4"	72" x 10"	TOR-78X16SSEI-H-HI/LO-NG/120V	350k	\$7,764.00	6 bags	140 lbs

🔥 ON/OFF Series - Electronic Ignition

Insert Size**	Burner Sz.	SKU - TORPEDO BURNER	BTU	MSRP	Rock	Glass
24" x 12" x 10-1/4"	18" x 6"	TOR-24X12SSEI-H-NG/120VAC	115k	\$4,771.00	2 bags	40lbs
30" x 12" x 10-1/4"	24" x 6"	TOR-30X12SSEI-H-NG/120VAC	150k	\$5,140.00	2 bags	40 lbs
36" x 14" x 10-1/4"	30" x 8"	TOR-36X14SSEI-H-NG/120VAC	175k	\$5,330.00	2 bags	60 lbs
42" x 14" x 10-1/4"	36" x 8"	TOR-42X14SSEI-H-NG/120VAC	200k	\$5,485.00	2 bags	70 lbs
54" x 16" x 10-1/4"	48" x 10"	TOR-54X16SSEI-H-NG/120VAC	250k	\$5,837.00	4 bags	100 lbs
66" x 16" x 10-1/4"	60" x 10"	TOR-66X16SSEI-H-NG/120VAC	300k	\$6,477.00	6 bags	120 lbs
78" x 16" x 10-1/4"	72" x 10"	TOR-78X16SSEI-H-NG/120VAC	350k	\$6,984.00	6 bags	140 lbs
90" x 16" x 10-1/4"	84" x 10"	TOR-90X16SSEI-H-NG/120VAC	400k	\$7,525.00	8 bags	160 lbs

🔥 FPPK Series - Push-Button Ignition

Insert Size*	Burner Sz.	SKU - TORPEDO BURNER	BTU	MSRP	Rock	Glass
24" x 12" x 6-1/2"	18" x 6"	TOR-FPPK24X12-H-FLEX-NG	115k	\$2,355.00	2 bags	40lbs
30" x 12" x 6-1/2"	24" x 6"	TOR-FPPK30X12-H-FLEX-NG	150k	\$2,678.00	2 bags	40 lbs
36" x 14" x 6-1/2"	30" x 8"	TOR-FPPK36X14-H-FLEX-NG	150k	\$2,904.00	2 bags	60 lbs
42" x 14" x 6-1/2"	36" x 8"	TOR-FPPK42X14-H-FLEX-NG	200k	\$3,137.00	2 bags	70 lbs
54" x 16" x 6-1/2"	48" x 10"	TOR-FPPK54X16-H-FLEX-NG	200k	\$3,502.00	4 bags	100 lbs

🔥 FPPK Series - Push-Button Ignition - Small Tank

Insert Size*	Burner Sz.	SKU - TORPEDO BURNER	BTU	MSRP	Rock	Glass
24" x 12" x 6-1/2"	18" x 6"	TOR-FPPK24X12-H-FLEX-LP-ST	75k	\$2,517.00	2 bags	40lbs
30" x 12" x 6-1/2"	24" x 6"	TOR-FPPK30X12-H-FLEX-LP-ST	90k	\$2,839.00	2 bags	40 lbs
36" x 14" x 6-1/2"	30" x 8"	TOR-FPPK36X14-H-FLEX-LP-ST	90k	\$3,065.00	2 bags	60 lbs

🔥 MLFPPK Series - Match-Lit Ignition

Insert Size*	Burner Sz.	SKU - TORPEDO BURNER	BTU	MSRP	Rock	Glass
24" x 12" x 6-1/2"	18" x 6"	TOR-MLFPPK24X12-H-FLEX-NG	65k	\$1,029.00	2 bags	40lbs
30" x 12" x 6-1/2"	24" x 6"	TOR-MLFPPK30X12-H-FLEX-NG	65k	\$1,155.00	2 bags	40 lbs
36" x 14" x 6-1/2"	30" x 8"	TOR-MLFPPK36X14-H-FLEX-NG	65k	\$1,477.00	2 bags	60 lbs

🔥 MLFPPK Series - Match-Lit Ignition - Small Tank

Insert Size*	Burner Sz.	SKU - TORPEDO BURNER	BTU	MSRP	Rock	Glass
24" x 12" x 6-1/2"	18" x 6"	TOR-MLFPPK24X12-H-FLEX-LP-ST	65k	\$1,226.00	2 bags	40lbs
30" x 12" x 6-1/2"	24" x 6"	TOR-MLFPPK30X12-H-FLEX-LP-ST	65k	\$1,355.00	2 bags	40 lbs
36" x 14" x 6-1/2"	30" x 8"	TOR-MLFPPK36X14-H-FLEX-LP-ST	65k	\$1,678.00	2 bags	60 lbs

*Insert Size: Insert height includes 2-1/2" pan depth.

**EI Models: Listed height is for standard burner models only. All Torpedo EI fire pits are 9-1/2" tall including pan.



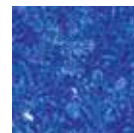
Electronic Ignition
Components: pg 93, 94



Push Button Ignition
Components: pg 93, 95



Match Lit Ignition
Components: pg 93



Media
pg 82



Covers
pg 84



Wind Guards
pg 86



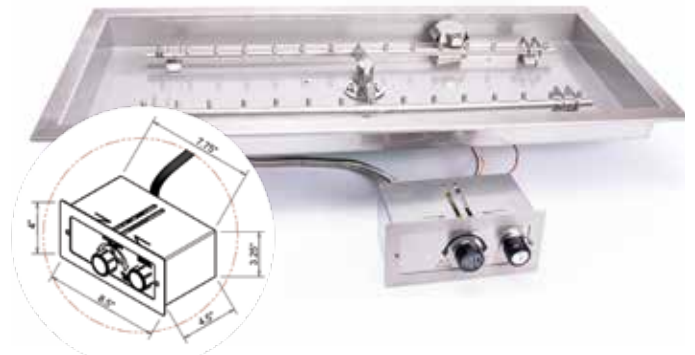


ELECTRONIC IGNITION / EI



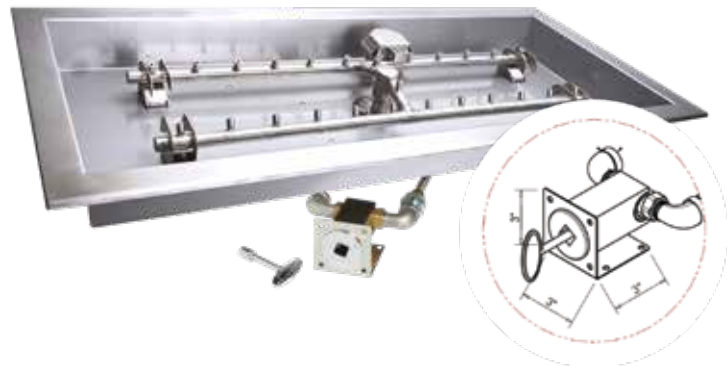
ON/OFF models provide plug-and-play operation. Optional remote-activated switches are available. The HI/LO models can be controlled via Bluetooth and allows for adjustable flame height. Flame height can also be set on install with trimmer valve.

PUSH BUTTON IGNITION / FPPK



Push button fire pits are controlled with a simple knob and button on a stainless steel valve box. FPPK models feature a flame-sensing system that automatically turns the gas off if the flame is extinguished.

MATCH LIT IGNITION / MLFPK

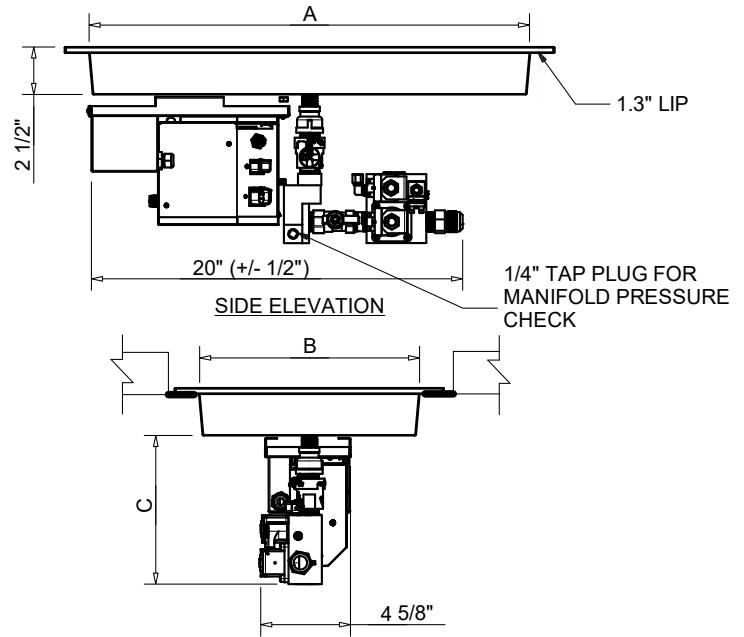


Match lit fire pits are ignited simply by turning the key valve and lighting the gas with a lighter.

H-BURNER (cont.)

Electronic Ignition - Specifications

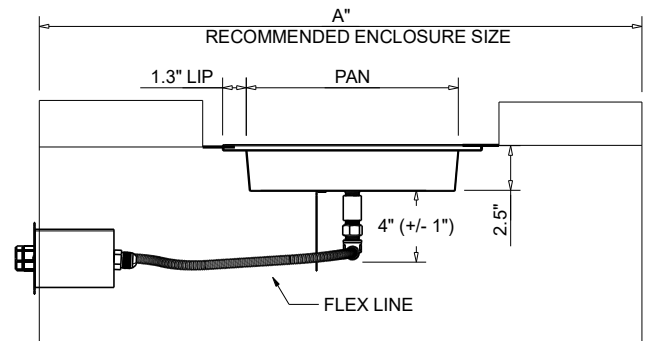
PART NUMBER	BTU	DIMENSION CHART		
		A"	B"	C" (+/- 1/2")
TOR-24X12SSEI-H	115K	24	12	7-3/4
TOR-30X12SSEI-H	150K	30	12	7-3/4
TOR-36X14SSEI-H	175K	36	14	7-3/4
TOR-42X14SSEI-H	200K	42	14	7-3/4
TOR-54X16SSEI-H	250K	54	16	7-3/4
TOR-66X16SSEI-H	300K	66	16	7-3/4
TOR-78X16SSEI-H	350K	78	16	7-3/4
TOR-90X16SSEI-H	400K	90	16	7-3/4



Push Button Ignition - Specifications

PART NUMBERS	PAN	DIMENSION CHART				
		STANDARD BTU		A"	STND FLEX LINE LENGTH	
		PENTA	TORPEDO			
TOR- FPPK24X12-H-FLEX	24"X12"	75K	115K	56LX28W	36"	
TOR- FPPK30X12-H-FLEX	30"X12"	100K	150K	56LX28W	36"	
TOR- FPPK36X14-H-FLEX	36"X14"	125K	150K	64LX32W	36"	
TOR- FPPK42X14-H-FLEX	42"X14"	150K	200K	64LX32W	36"	
TOR- FPPK54X16-H-FLEX	54"X16"	200K	200K	76LX38W	36"	

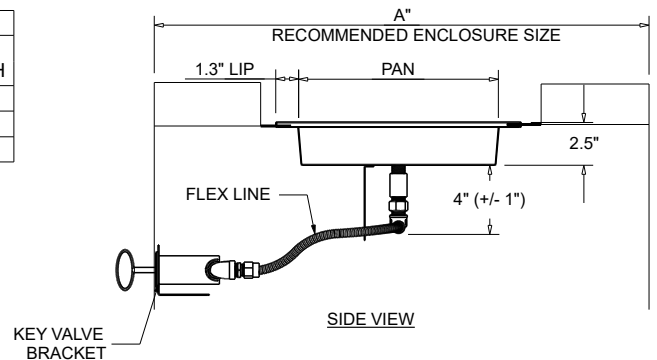
*FOR TORPEDO BURNERS ADD TOR-



Match Lit Ignition - Specifications

PART NUMBER	PAN	DIMENSION CHART				
		STANDARD BTU		A"	STND FLEX LINE LENGTH	
		PENTA	TORPEDO			
TOR- MLFPK24X12-FLEX	24"X12"	65K	65K	56"X28"	36"	
TOR- MLFPK30X12-FLEX	30"X12"	65K	65K	56"X28"	36"	
TOR- MLFPK36X14-FLEX	36"X14"	65K	65K	64"X32"	36"	

*FOR TORPEDO BURNERS ADD TOR-



H-BURNER FLAT

CERTIFIED FIRE PIT INSERTS

Our CSA-certified fire pit inserts are made of durable stainless steel and designed to be the most efficient, safe, and impressive flame on the market.

Installation Considerations

- Minimum of 2" clearance between bottom of insert and ground is required
- 36"-48" clearance to combustibles (depending on size)
- Minimum two sides ventilated
- Minimum 50% free air space within enclosure
- 24VAC models require HPC/SEBCO 24VAC, 100W power supply for inserts ONLY



BENEFITS

- Economical, flat design. Meant for a recess mount within an enclosure
- Fully assembled, commercial grade, CSA-certified fire pit insert

FEATURES

- Raised hub for water mitigation
- Welded gas fitting for strength
- Weep holes for drainage
- Lifetime warranty on burners

SPECIFICATIONS

- Made of #304, 18 gauge stainless steel
- Standard flex line is 36" (when applicable)
- * EI On/Off remote control sold separately

Need LP or 24-Volt Models?

Change "NG" to "LP" in SKU for liquid propane applications
Change "120V" to "24V" in SKU for 24-V applications

HI/LO Series (Smart App Controlled) - Electronic Ignition

Insert Size**	Burner Sz.	SKU - TORPEDO BURNER	BTU	MSRP	Rock	Glass
27" x 15" x 7-3/4"	18"	TOR-27X15SSEI-HF-HI/LO-NG/120V	115K	\$4,778.00	2 bags	40lbs
33" x 15" x 7-3/4"	24"	TOR-33X15SSEI-HF-HI/LO-NG/120V	150K	\$5,121.00	2 bags	40 lbs
39" x 17" x 7-3/4"	30"	TOR-39X17SSEI-HF-HI/LO-NG/120V	175K	\$5,295.00	2 bags	60 lbs
45" x 17" x 7-3/4"	36"	TOR-45X17SSEI-HF-HI/LO-NG/120V	200K	\$5,433.00	2 bags	70 lbs
57" x 19" x 7-3/4"	48"	TOR-57X19SSEI-HF-HI/LO-NG/120V	250K	\$5,741.00	4 bags	100 lbs
69" x 19" x 7-3/4"	60"	TOR-69X19SSEI-HF-HI/LO-NG/120V	300K	\$6,306.00	6 bags	120 lbs
81" x 19" x 7-3/4"	72"	TOR-81X19SSEI-HF-HI/LO-NG/120V	350K	\$6,755.00	6 bags	140 lbs
93" x 19" x 7-3/4"	84"	TOR-93X19SSEI-HF-HI/LO-NG/120V	400K	\$7,267.00	8 bags	160 lbs

ON/OFF Series - Electronic Ignition

Insert Size**	Burner Sz.	SKU - TORPEDO BURNER	BTU	MSRP	Rock	Glass
27" x 15" x 7-3/4"	18"	TOR-27X15SSEI-HF-NG/120VAC	115K	\$4,151.00	2 bags	40lbs
33" x 15" x 7-3/4"	24"	TOR-33X15SSEI-HF-NG/120VAC	150K	\$4,472.00	2 bags	40 lbs
39" x 17" x 7-3/4"	30"	TOR-39X17SSEI-HF-NG/120VAC	175K	\$4,637.00	2 bags	60 lbs
45" x 17" x 7-3/4"	36"	TOR-45X17SSEI-HF-NG/120VAC	200K	\$4,772.00	2 bags	70 lbs
57" x 19" x 7-3/4"	48"	TOR-57X19SSEI-HF-NG/120VAC	250K	\$5,078.00	4 bags	100 lbs
69" x 19" x 7-3/4"	60"	TOR-69X19SSEI-HF-NG/120VAC	300K	\$5,635.00	6 bags	120 lbs
81" x 19" x 7-3/4"	72"	TOR-81X19SSEI-HF-NG/120VAC	350K	\$6,076.00	6 bags	140 lbs
93" x 19" x 7-3/4"	84"	TOR-93X19SSEI-HF-NG/120VAC	400K	\$6,547.00	8 bags	160 lbs

FPPK Series - Push-Button Ignition

Insert Size*	Burner Sz.	SKU - TORPEDO BURNER	BTU	MSRP	Rock	Glass
27" x 15" x 4-1/2"	18"	TOR-FPPK27X15-HF-FLEX-NG	115K	\$2,049.00	2 bags	40lbs
33" x 15" x 4-1/2"	24"	TOR-FPPK33X15-HF-FLEX-NG	150K	\$2,330.00	2 bags	40 lbs
39" x 17" x 4-1/2"	30"	TOR-FPPK39X17-HF-FLEX-NG	150K	\$2,526.00	2 bags	60 lbs
45" x 17" x 4-1/2"	36"	TOR-FPPK45X17-HF-FLEX-NG	200K	\$2,729.00	2 bags	70 lbs
57" x 19" x 4-1/2"	48"	TOR-FPPK57X19-HF-FLEX-NG	200K	\$3,047.00	4 bags	100 lbs

FPPK Series - Push-Button Ignition - Small Tank

Insert Size*	Burner Sz.	SKU - TORPEDO BURNER	BTU	MSRP	Rock	Glass
27" x 15" x 4-1/2"	18"	TOR-FPPK27X15-HF-FLEX-LP-ST	75K	\$2,190.00	2 bags	40lbs
33" x 15" x 4-1/2"	24"	TOR-FPPK33X15-HF-FLEX-LP-ST	90K	\$2,470.00	2 bags	40 lbs
39" x 17" x 4-1/2"	30"	TOR-FPPK39X17-HF-FLEX-LP-ST	90K	\$2,667.00	2 bags	60 lbs

MLFPPK Series - Match-Lit Ignition

Insert Size*	Burner Sz.	SKU - TORPEDO BURNER	BTU	MSRP	Rock	Glass
27" x 15" x 4-1/2"	18"	TOR-MLFPPK27X15-HF-FLEX-NG	65k	\$895.00	2 bags	40lbs
33" x 15" x 4-1/2"	24"	TOR-MLFPPK33X15-HF-FLEX-NG	65k	\$1,005.00	2 bags	40 lbs
39" x 17" x 4-1/2"	30"	TOR-MLFPPK39X17-HF-FLEX-NG	65k	\$1,285.00	2 bags	60 lbs

MLFPPK Series - Match-Lit Ignition - Small Tank

Insert Size*	Burner Sz.	SKU - TORPEDO BURNER	BTU	MSRP	Rock	Glass
27" x 15" x 4-1/2"	18"	TOR-MLFPPK27X15-HF-FLEX-LP-ST	65k	\$1,067.00	2 bags	40lbs
33" x 15" x 4-1/2"	24"	TOR-MLFPPK33X15-HF-FLEX-LP-ST	65k	\$1,179.00	2 bags	40 lbs
39" x 17" x 4-1/2"	30"	TOR-MLFPPK39X17-HF-FLEX-LP-ST	65k	\$1,460.00	2 bags	60 lbs

*Insert Size: Insert height includes 2-1/2" pan depth.

**EI Models: Listed height is for standard burner models only. All Torpedo EI fire pits are 9-1/2" tall including pan.



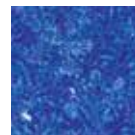
Electronic Ignition
Components: pg 93, 94



Push Button Ignition
Components: pg 93, 95



Match Lit Ignition
Components: pg 93



Media
pg 82



Covers
pg 84

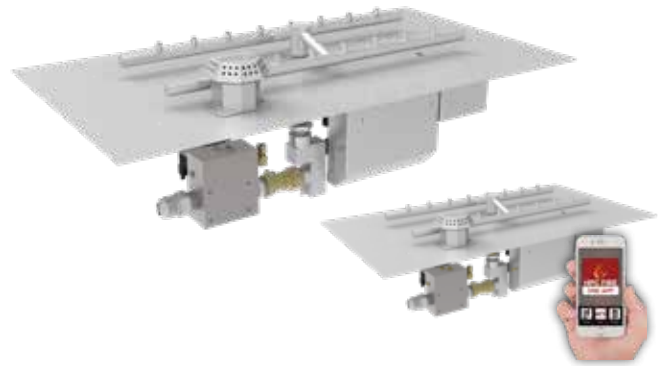


Wind Guards
pg 86



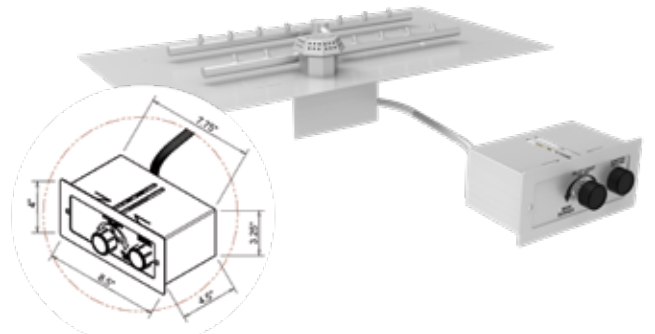


ELECTRONIC IGNITION / EI



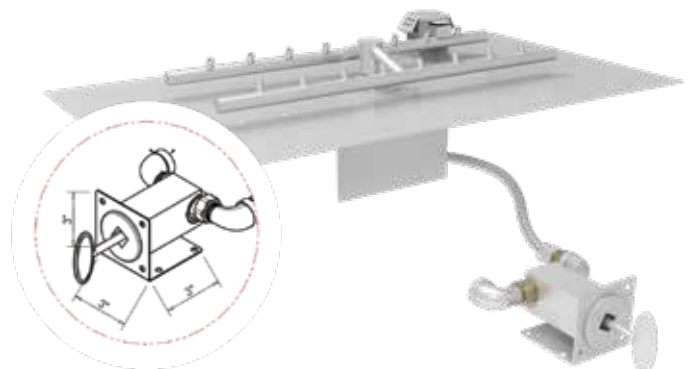
ON/OFF models provide plug-and-play operation. Optional remote-activated switches are available. The HI/LO models can be controlled via Bluetooth and allows for adjustable flame height. Flame height can also be set on install with trimmer valve.

PUSH BUTTON IGNITION / FPPK



Push button fire pits are controlled with a simple knob and button on a stainless steel valve box. FPPK models feature a flame-sensing system that automatically turns the gas off if the flame is extinguished.

MATCH LIT IGNITION / MLFPK

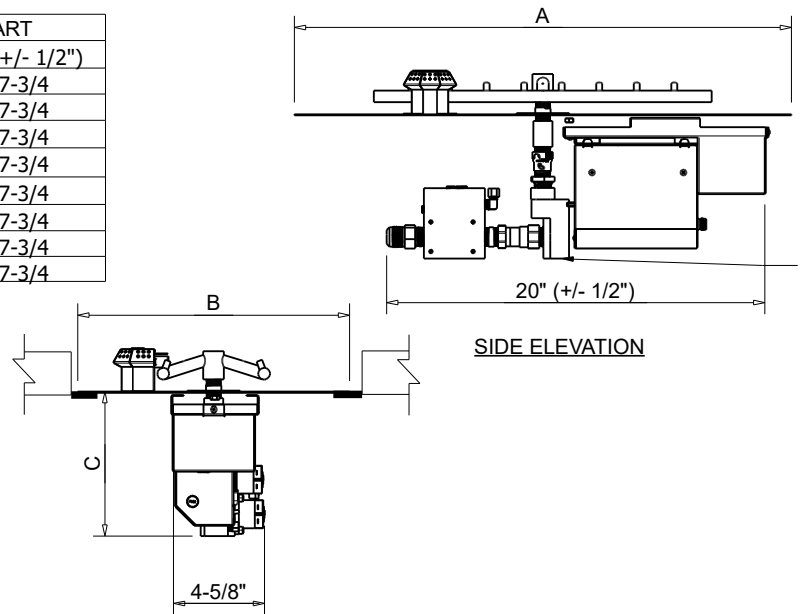


Match lit fire pits are ignited simply by turning the key valve and lighting the gas with a lighter.

H-BURNER FLAT *(cont.)*

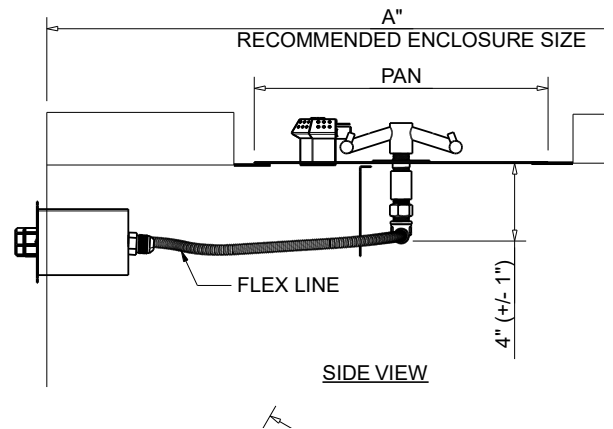
Electronic Ignition - Specifications

PART NUMBER	BTU	DIMENSION CHART		
		A"	B"	C" (+/- 1/2")
TOR-27X15SSEI-HF	115K	27	15	7-3/4
TOR-33X15SSEI-HF	150K	33	15	7-3/4
TOR-39X17SSEI-HF	175K	39	17	7-3/4
TOR-45X17SSEI-HF	200K	45	17	7-3/4
TOR-57X19SSEI-HF	250K	57	19	7-3/4
TOR-69X19SSEI-HF	300K	69	19	7-3/4
TOR-81X19SSEI-HF	350K	81	19	7-3/4
TOR-93X19SSEI-HF	400K	93	19	7-3/4



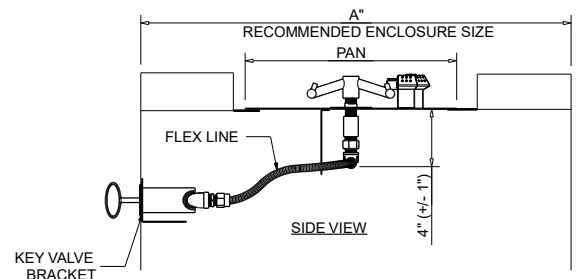
Push Button Ignition - Specifications

PART NUMBERS	PAN	DIMENSION CHART		
		STANDARD BTU	A"	STND FLEX LINE LENGTH
TOR-FPPK27X15-HF-FLEX	27"X15"	115K	56LX28W	36"
TOR-FPPK33X15-HF-FLEX	33"X15"	150K	56LX28W	36"
TOR-FPPK39X17-HF-FLEX	39"X17"	150K	64LX32W	36"
TOR-FPPK45X17-HF-FLEX	45"X17"	200K	64LX32W	36"
TOR-FPPK57X19-HF-FLEX	57"X19"	200K	76LX38W	36"



Match Lit Ignition - Specifications

PART NUMBER	PAN	DIMENSION CHART		
		STANDARD BTU	A"	STND FLEX LINE LENGTH
TOR-MLFPPK27X15-HF-FLEX	27"X15"	65K	56"X28"	36"
TOR-MLFPPK33X15-HF-FLEX	33"X15"	65K	56"X28"	36"
TOR-MLFPPK39X17-HF-FLEX	39"X17"	65K	64"X32"	36"



LINEAR TROUGH

CERTIFIED FIRE PIT INSERTS

Our CSA-certified fire pit inserts are made of durable stainless steel and designed to be the most efficient, safe, and impressive flame on the market.

Installation Considerations

- Minimum of 2" clearance between bottom of insert and ground is required
- 36"-48" clearance to combustibles (depending on size)
- Minimum two sides ventilated
- Minimum 50% free air space within enclosure
- 24VAC models require HPC/SEBCO 24VAC, 100W power supply for inserts ONLY



BENEFITS

- Bowl design includes 1.3" lip to rest over paving stones / enclosure. Depth to pan allows for better media retention
- Fully assembled, commercial grade, CSA-certified fire pit insert

FEATURES

- Raised hub for water mitigation
- Welded gas fitting for strength
- Weep holes for drainage
- Lifetime warranty on burners

SPECIFICATIONS

- Made of #304, 18 gauge stainless steel
- Standard flex line is 36" (when applicable)
- * EI On/Off remote control sold separately

Need LP or 24-Volt Models?

Change "NG" to "LP" in SKU for liquid propane applications
Change "120VAC" to "24VAC" in SKU for 24-V applications

Highlights = best sellers

HI/LO Series (Smart App Controlled) - Electronic Ignition

Insert Size**	Burner Sz.
24" x 8" x 10-1/4"	23-1/2"
36" x 8" x 10-1/4"	35-1/2"
48" x 8" x 10-1/4"	47-1/2"
60" x 8" x 10-1/4"	59-1/2"
72" x 8" x 10-1/4"	71-1/2"
96" x 8" x 10-1/4"	95-1/2"

SKU - TORPEDO BURNER	BTU	MSRP
TOR-24SSEI-TRGH-HI/LO-NG/120V	75k	\$4,958.00
TOR-36SSEI-TRGH-HI/LO-NG/120V	115k	\$5,395.00
TOR-48SSEI-TRGH-HI/LO-NG/120V	150k	\$6,105.00
TOR-60SSEI-TRGH-HI/LO-NG/120V	175k	\$7,230.00
TOR-72SSEI-TRGH-HI/LO-NG/120V	200k	\$8,022.00
TOR-96SSEI-TRGH-HI/LO-NG/120V	300k	\$8,417.00

Rock	Glass
1 bag	20lbs
2 bags	30lbs
2 bags	40lbs
2 bags	40lbs
2 bags	50lbs
2 bags	60lbs

ON/OFF Series - Electronic Ignition

Insert Size**	Burner Sz.
24" x 8" x 10-1/4"	23-1/2"
36" x 8" x 10-1/4"	35-1/2"
48" x 8" x 10-1/4"	47-1/2"
60" x 8" x 10-1/4"	59-1/2"
72" x 8" x 10-1/4"	71-1/2"
96" x 8" x 10-1/4"	95-1/2"

SKU - TORPEDO BURNER	BTU	MSRP
TOR-24SSEI-TRGH-NG/120VAC	75k	\$4,225.00
TOR-36SSEI-TRGH-NG/120VAC	115k	\$4,655.00
TOR-48SSEI-TRGH-NG/120VAC	150k	\$5,351.00
TOR-60SSEI-TRGH-NG/120VAC	175k	\$6,456.00
TOR-72SSEI-TRGH-NG/120VAC	200k	\$7,233.00
TOR-96SSEI-TRGH-NG/120VAC	300k	\$7,620.00

Rock	Glass
1 bag	20lbs
2 bags	30lbs
2 bags	40lbs
2 bags	40lbs
2 bags	50lbs
2 bags	60lbs

FPPK Series - Push-Button Ignition

Insert Size*	Burner Sz.
24" x 8" x 6-1/2"	23-1/2"
36" x 8" x 6-1/2"	35-1/2"
48" x 8" x 6-1/2"	47-1/2"
60" x 8" x 6-1/2"	59-1/2"
72" x 8" x 6-1/2"	71-1/2"

SKU - TORPEDO BURNER	BTU	MSRP
TOR-FPPK24-TRGH-FLEX-NG	75k	\$1,864.00
TOR-FPPK36-TRGH-FLEX-NG	115k	\$2,004.00
TOR-FPPK48-TRGH-FLEX-NG	150k	\$2,172.00
TOR-FPPK60-TRGH-FLEX-NG	175k	\$3,180.00
TOR-FPPK72-TRGH-FLEX-NG	200k	\$3,434.00

Rock	Glass
1 bag	20lbs
2 bags	30lbs
2 bags	40lbs
2 bags	40lbs
2 bags	50lbs

FPPK Series - Push-Button Ignition - Small Tank

Insert Size*	Burner Sz.
24" x 8" x 6-1/2"	23-1/2"
36" x 8" x 6-1/2"	35-1/2"
48" x 8" x 6-1/2"	47-1/2"
60" x 8" x 6-1/2"	59-1/2"

SKU - TORPEDO BURNER	BTU	MSRP
TOR-FPPK24-TRGH-FLEX-LP-ST	65k	\$2,026.00
TOR-FPPK36-TRGH-FLEX-LP-ST	75k	\$2,165.00
TOR-FPPK48-TRGH-FLEX-LP-ST	90k	\$2,334.00
TOR-FPPK60-TRGH-FLEX-LP-ST	90k	\$3,341.00

Rock	Glass
1 bag	20lbs
2 bags	30lbs
2 bags	40lbs
2 bags	40lbs

MLFPK Series - Match-Lit Ignition

Insert Size*	Burner Sz.
24" x 8" x 6-1/2"	23-1/2"
36" x 8" x 6-1/2"	35-1/2"
48" x 8" x 6-1/2"	47-1/2"

SKU - TORPEDO BURNER	BTU	MSRP
TOR-MLFPK24 TRGH-FLEX-NG	65k	\$656.00
TOR-MLFPK36 TRGH-FLEX-NG	65k	\$768.00
TOR-MLFPK48 TRGH-FLEX-NG	65k	\$947.00

Rock	Glass
1 bag	20lbs
2 bags	30lbs
2 bags	40lbs

MLFPK Series - Match-Lit Ignition - Small Tank

Insert Size*	Burner Sz.
24" x 8" x 6-1/2"	23-1/2"
36" x 8" x 6-1/2"	35-1/2"
48" x 8" x 6-1/2"	47-1/2"

SKU - TORPEDO BURNER	BTU	MSRP
TOR-MLFPK24 TRGH-FLEX-LP-ST	65k	\$854.00
TOR-MLFPK36 TRGH-FLEX-LP-ST	65k	\$968.00
TOR-MLFPK48 TRGH-FLEX-LP-ST	65k	\$1,144.00

Rock	Glass
1 bag	20lbs
2 bags	30lbs
2 bags	40lbs

*Insert Size: Insert height includes 2-1/2" pan depth.

**EI Models: Listed height is for standard burner models only. All Torpedo EI fire pits are 9-1/2" tall including pan.



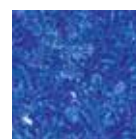
Electronic Ignition
Components: pg 93, 94



Push Button Ignition
Components: pg 93, 95



Match Lit Ignition
Components: pg 93



Media
pg 82



Covers
pg 84



Wind Guards
pg 86



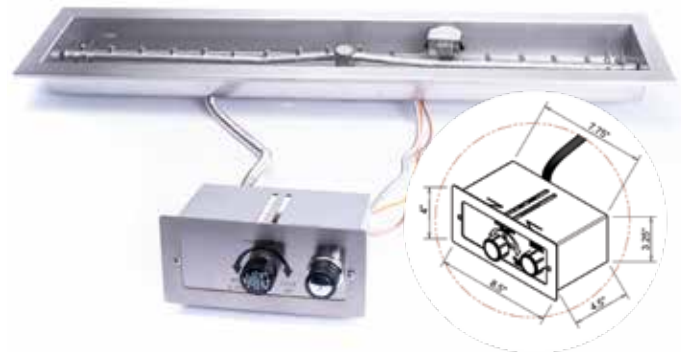


ELECTRONIC IGNITION / EI



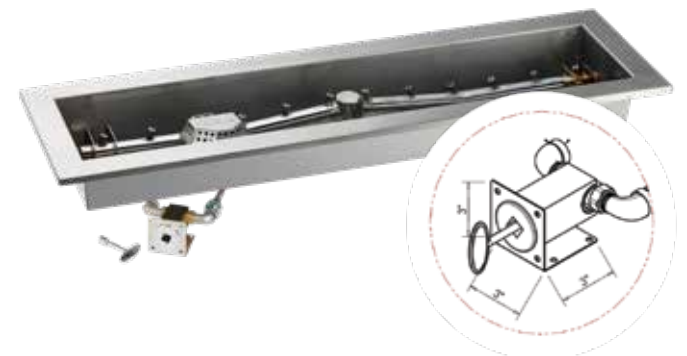
ON/OFF models provide plug-and-play operation. Optional remote-activated switches are available. The HI/LO models can be controlled via Bluetooth and allows for adjustable flame height. Flame height can also be set on install with trimmer valve.

PUSH BUTTON IGNITION / FPPK



Push button fire pits are controlled with a simple knob and button on a stainless steel valve box. FPPK models feature a flame-sensing system that automatically turns the gas off if the flame is extinguished.

MATCH LIT IGNITION / MLFPK

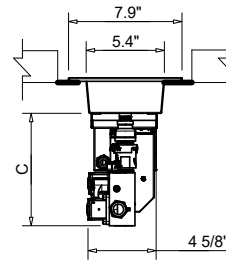
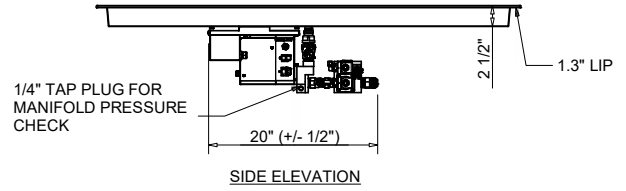


Match lit fire pits are ignited simply by turning the key valve and lighting the gas with a lighter.

LINEAR TROUGH (cont.)

Electronic Ignition - Specifications

PART NUMBER	BTU	DIMENSION CHART		
		PAN	BURNER	C" (+/- 1/2")
TOR-24SSEI-TRGH	75K	24.5"	23.50"	7-3/4
TOR-36SSEI-TRGH	115K	36.5"	35.50"	7-3/4
TOR-48SSEI-TRGH	150K	48.5"	47.50"	7-3/4
TOR-60SSEI-TRGH	175K	60.5"	59.50"	7-3/4
TOR-72SSEI-TRGH	200K	72.5"	71.50"	7-3/4
TOR-96SSEI-TRGH	300K	96.5"	95.5"	7-3/4

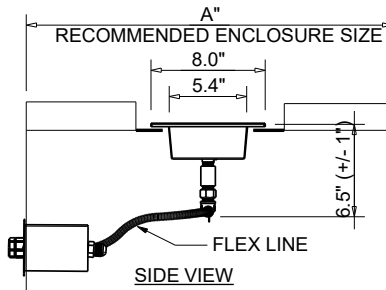


Push Button Ignition - Specifications

SPARK IGNITION BY AA BATTERY
MATERIAL: 304 STAINLESS STEEL

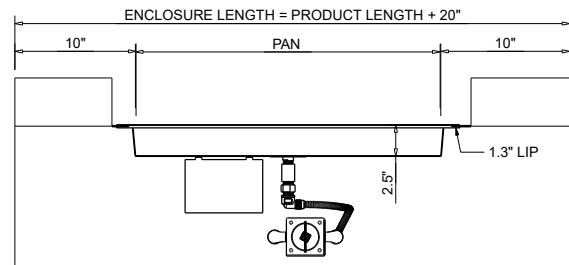
*FOR TORPEDO BURNERS ADD TOR-

PART NUMBER	PAN	STANDARD BTU		A"	STND FLEX LINE LENGTH
		TORPEDO			
TOR- FPPK24-TRGH-FLEX	24.5"	75K		44LX24W	36"
TOR- FPPK36-TRGH-FLEX	36.5"	115K		56LX24W	36"
TOR- FPPK48-TRGH-FLEX	48.5"	150K		68LX24W	36"
TOR- FPPK60-TRGH-FLEX	60.5"	175K		80LX24W	36"
TOR- FPPK72-TRGH-FLEX	72.5"	200K		92LX24W	36"



Match Lit Ignition - Specifications

PART NUMBER	PAN	STANDARD BTU		STND FLEX LINE LENGTH
		PENTA	TORPEDO	
TOR- MLFPPK24-TRGH-FLEX	24.5"	50K	65K	36"
TOR- MLFPPK36-TRGH-FLEX	36.5"	65K	65K	36"
TOR- MLFPPK48-TRGH-FLEX	48.5"	65K	65K	36"



LINEAR FLAT

CERTIFIED FIRE PIT INSERTS

Our CSA-certified fire pit inserts are made of durable stainless steel and designed to be the most efficient, safe, and impressive flame on the market.

Installation Considerations

- Minimum of 2" clearance between bottom of insert and ground is required
- 36"-48" clearance to combustibles (depending on size)
- Minimum two sides ventilated
- Minimum 50% free air space within enclosure
- 24VAC models require HPC/SEBCO 24VAC, 100W power supply for inserts ONLY



BENEFITS

- Economical, flat design. Meant for a recess mount within an enclosure
- Fully assembled, commercial grade, CSA-certified fire pit insert

FEATURES

- Raised hub for water mitigation
- Welded gas fitting for strength
- Weep holes for drainage
- Lifetime warranty on burners

SPECIFICATIONS

- Made of #304, 18 gauge stainless steel
- Standard flex line is 36" (when applicable)
- * EI On/Off remote control sold separately

Need LP or 24-Volt Models?

Change "NG" to "LP" in SKU for liquid propane applications
Change "120V" to "24V" in SKU for 24-V applications

HI/LO Series (Smart App Controlled) - Electronic Ignition

Insert Size**	Burner Sz.	SKU - TORPEDO BURNER	BTU	MSRP	Rock	Glass
27" x 8" x 7-3/4"	24"	TOR-24SSEI-LF-HI/LO-NG/120VAC	75K	\$4,313.00	1 bag	20lbs
39" x 8" x 7-3/4"	36"	TOR-36SSEI-LF-HI/LO-NG/120VAC	115K	\$4,694.00	2 bags	30lbs
51" x 8" x 7-3/4"	48"	TOR-48SSEI-LF-HI/LO-NG/120VAC	150K	\$5,311.00	2 bags	40lbs
63" x 8" x 7-3/4"	60"	TOR-60SSEI-LF-HI/LO-NG/120VAC	175K	\$6,290.00	2 bags	40lbs
75" x 8" x 7-3/4"	72"	TOR-72SSEI-LF-HI/LO-NG/120VAC	200K	\$6,979.00	2 bags	50lbs
99" x 8" x 7-3/4"	96"	TOR-96SSEI-LF-HI/LO-NG/120VAC	300K	\$7,322.00	2 bags	60lbs
133" x 8" x 7-3/4"	120"	TOR-120SSEI-LF-HI/LO-NG/120VAC	300K	\$7,835.00	3 bags	60 lbs

ON/OFF Series - Electronic Ignition

Insert Size**	Burner Sz.	SKU - TORPEDO BURNER	BTU	MSRP	Rock	Glass
27" x 8" x 7-3/4"	24"	TOR-24SSEI-LF-NG/120VAC	75K	\$3,676.00	1 bag	20lbs
39" x 8" x 7-3/4"	36"	TOR-36SSEI-LF-NG/120VAC	115K	\$4,050.00	2 bags	30lbs
51" x 8" x 7-3/4"	48"	TOR-48SSEI-LF-NG/120VAC	150K	\$4,656.00	2 bags	40lbs
63" x 8" x 7-3/4"	60"	TOR-60SSEI-LF-NG/120VAC	175K	\$5,617.00	2 bags	40lbs
75" x 8" x 7-3/4"	72"	TOR-72SSEI-LF-NG/120VAC	200K	\$6,293.00	2 bags	50lbs
99" x 8" x 7-3/4"	96"	TOR-96SSEI-LF-NG/120VAC	300K	\$6,630.00	2 bags	60lbs
133" x 8" x 7-3/4"	120"	TOR-120SSEI-LF-NG/120VAC	300K	\$7,094.00	3 bags	60 lbs

FPPK Series - Push-Button Ignition

Insert Size*	Burner Sz.	SKU - TORPEDO BURNER	BTU	MSRP	Rock	Glass
27" x 8" x 4-1/2"	24"	TOR-FPPK24-LF-FLEX-NG	75K	\$1,622.00	1 bag	20lbs
39" x 8" x 4-1/2"	36"	TOR-FPPK36-LF-FLEX-NG	115K	\$1,744.00	2 bags	30lbs
51" x 8" x 4-1/2"	48"	TOR-FPPK48-LF-FLEX-NG	150K	\$1,890.00	2 bags	40lbs
63" x 8" x 4-1/2"	60"	TOR-FPPK60-LF-FLEX-NG	175K	\$2,766.00	2 bags	40lbs
75" x 8" x 4-1/2"	72"	TOR-FPPK72-LF-FLEX-NG	200K	\$2,988.00	2 bags	50lbs
99" x 8" x 4-1/2"	96"	TOR-FPPK96-LF-FLEX-NG	250K	\$3,197.00	2 bags	60lbs

FPPK Series - Push-Button Ignition - Small Tank

Insert Size*	Burner Sz.	SKU - TORPEDO BURNER	BTU	MSRP	Rock	Glass
27" x 8" x 4-1/2"	24"	TOR-FPPK24-LF-FLEX-LP-ST	75K	\$1,762.00	1 bag	20lbs
39" x 8" x 4-1/2"	36"	TOR-FPPK36-LF-FLEX-LP-ST	75K	\$1,884.00	2 bags	30lbs
51" x 8" x 4-1/2"	48"	TOR-FPPK48-LF-FLEX-LP-ST	90K	\$2,031.00	2 bags	40lbs
63" x 8" x 4-1/2"	60"	TOR-FPPK60-LF-FLEX-LP-ST	90K	\$2,907.00	2 bags	40lbs

MLFPPK Series - Match-Lit Ignition

Insert Size*	Burner Sz.	SKU - TORPEDO BURNER	BTU	MSRP	Rock	Glass
27" x 8" x 4-1/2"	24"	TOR-MLFPPK24-LF-FLEX-NG	65k	\$571.00	1 bag	20lbs
39" x 8" x 4-1/2"	36"	TOR-MLFPPK36-LF-FLEX-NG	65k	\$668.00	2 bags	30lbs
51" x 8" x 4-1/2"	48"	TOR-MLFPPK48-LF-FLEX-NG	65k	\$824.00	2 bags	40lbs

MLFPPK Series - Match-Lit Ignition - Small Tank

Insert Size*	Burner Sz.	SKU - TORPEDO BURNER	BTU	MSRP	Rock	Glass
27" x 8" x 4-1/2"	24"	TOR-MLFPPK24-LF-FLEX-LP-ST	65k	\$743.00	1 bag	20lbs
39" x 8" x 4-1/2"	36"	TOR-MLFPPK36-LF-FLEX-LP-ST	65k	\$842.00	2 bags	30lbs
51" x 8" x 4-1/2"	48"	TOR-MLFPPK48-LF-FLEX-LP-ST	65k	\$995.00	2 bags	40lbs

*Insert Size: Insert height includes 2-1/2" pan depth.

**EI Models: Listed height is for standard burner models only. All Torpedo EI fire pits are 9-1/2" tall including pan.



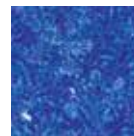
Electronic Ignition
Components: pg 93, 94



Push Button Ignition
Components: pg 93, 95



Match Lit Ignition
Components: pg 93



Media
pg 82



Covers
pg 84

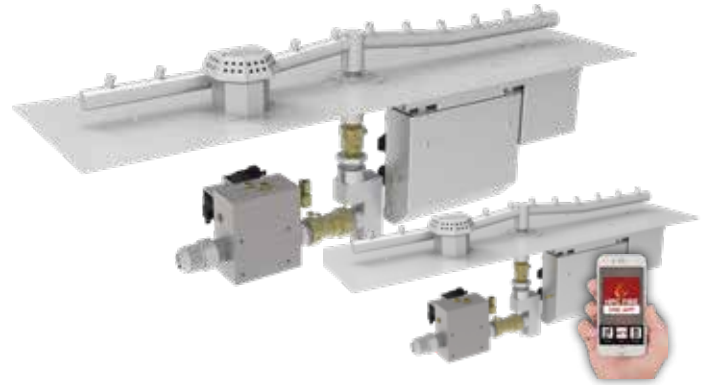


Wind Guards
pg 86



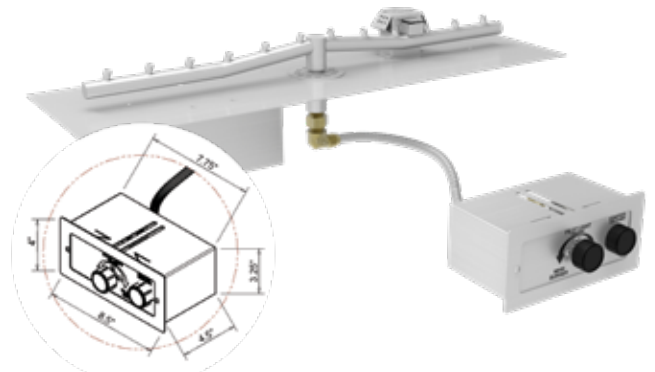


ELECTRONIC IGNITION / EI



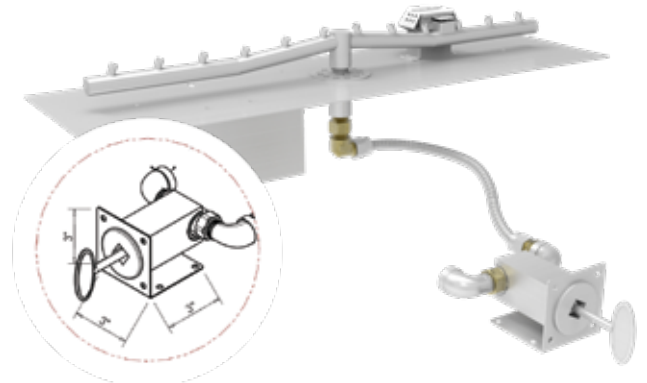
ON/OFF models provide plug-and-play operation. Optional remote-activated switches are available. The HI/LO models can be controlled via Bluetooth and allows for adjustable flame height. Flame height can also be set on install with trimmer valve.

PUSH BUTTON IGNITION / FPPK



Push button fire pits are controlled with a simple knob and button on a stainless steel valve box. FPPK models feature a flame-sensing system that automatically turns the gas off if the flame is extinguished.

MATCH LIT IGNITION / MLFPK

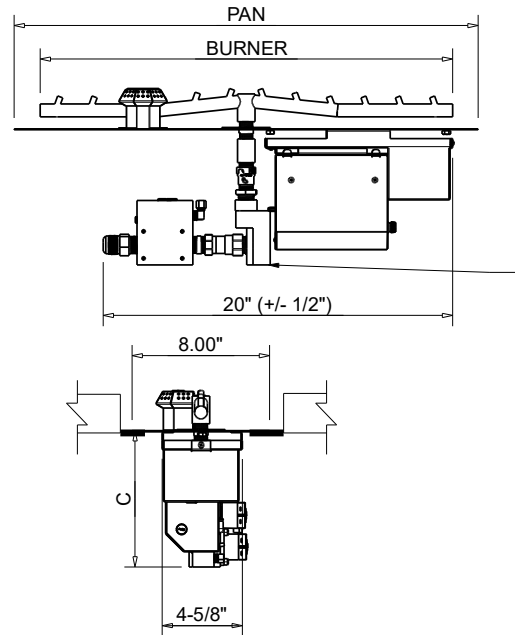


Match lit fire pits are ignited simply by turning the key valve and lighting the gas with a lighter.

LINEAR FLAT *(cont.)*

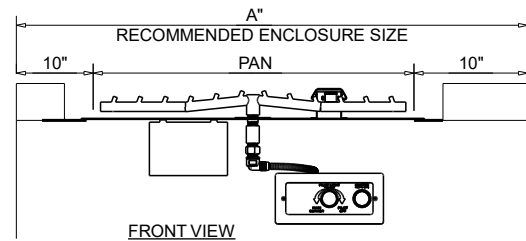
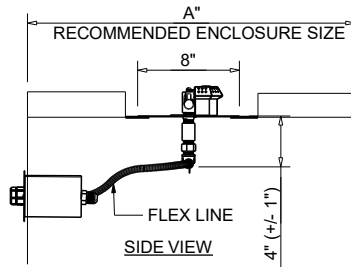
Electronic Ignition - Specifications

PART NUMBER	BTU	DIMENSION CHART		
		PAN	BURNER	C" (+/- 1/2")
TOR-24SSEI-LF	75K	27"	24"	7-3/4"
TOR-36SSEI-LF	115K	39"	36"	7-3/4"
TOR-48SSEI-LF	150K	51"	48"	7-3/4"
TOR-60SSEI-LF	175K	63"	60"	7-3/4"
TOR-72SSEI-LF	200K	75"	72"	7-3/4"
TOR-96SSEI-LF	300K	99"	96"	7-3/4"
TOR-120SSEI-LF	300K	133"	120"	7-3/4"



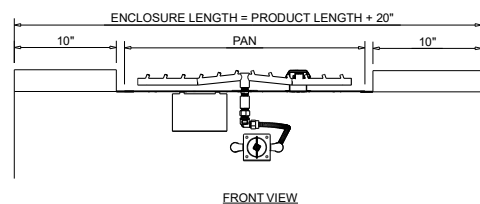
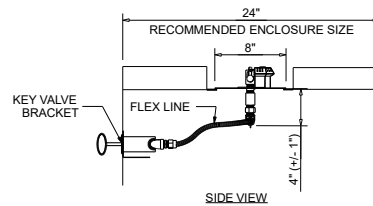
Push Button Ignition - Specifications

PART NUMBER	PAN	DIMENSION CHART		
		STANDARD BTU TORPEDO	A"	STND FLEX LINE LENGTH
TOR-FPPK24-LF-FLEX	27"	75K	44LX24W	36"
TOR-FPPK36-LF-FLEX	39"	115K	56LX24W	36"
TOR-FPPK48-LF-FLEX	51"	150K	68LX24W	36"
TOR-FPPK60-LF-FLEX	63"	175K	80LX24W	36"
TOR-FPPK72-LF-FLEX	75"	200K	92LX24W	36"
TOR-FPPK96-LF-FLEX	99"	250K	112LX24W	36"



Match Lit Ignition - Specifications

PART NUMBER	DIMENSION CHART		
	PAN	STANDARD BTU	STND FLEX LINE LENGTH
TOR-MLFPPK24-LF-FLEX	27"	65K	36"
TOR-MLFPPK36-LF-FLEX	39"	65K	36"
TOR-MLFPPK48-LF-FLEX	51"	65K	36"



INTERLINK

CERTIFIED FIRE PIT INSERTS

Our CSA-certified fire pit inserts are made of durable stainless steel and designed to be the most efficient, safe, and impressive flame on the market.

Installation Considerations

- Minimum of 2" clearance between bottom of insert and ground is required
- 36"-48" clearance to combustibles (depending on size)
- Minimum two sides ventilated
- Minimum 50% free air space within enclosure
- 24VAC models require HPC/SEBCO 24VAC, 100W power supply for inserts ONLY



BENEFITS

- Interlinking pans can be connected side by side to create a continuous flame
- Fully assembled, commercial grade, CSA-certified fire pit insert

FEATURES

- Raised hub for water mitigation
- Welded gas fitting for strength
- Weep holes for drainage
- Lifetime warranty on burners

SPECIFICATIONS

- Made of #304, 18 gauge stainless steel
- Standard flex line is 36" (when applicable)
- * EI On/Off remote control sold separately

Highlights = best sellers

Need LP or 24-Volt Models?

Change "NG" to "LP" in SKU for liquid propane applications
Change "120VAC" to "24VAC" in SKU for 24-V applications

HI/LO Series (Smart App Controlled) - Electronic Ignition

Insert Size*	Burner Sz.
25" x 8" x 9-1/4"	24"
37" x 8" x 9-1/4"	36"
49" x 8" x 9-1/4"	48"
61" x 8" x 9-1/4"	60"
73" x 8" x 9-1/4"	72"
97" x 8" x 9-1/4"	96"
121" x 8" x 9-1/4"	120"

SKU - TORPEDO BURNER	BTU	MSRP
TOR-25X8SSEI-L-HI/LO-NG/120VAC	75k	\$4,542.00
TOR-37X8SSEI-L-HI/LO-NG/120VAC	115k	\$4,979.00
TOR-49X8SSEI-L-HI/LO-NG/120VAC	150k	\$5,452.00
TOR-61X8SSEI-L-HI/LO-NG/120VAC	175k	\$6,520.00
TOR-73X8SSEI-L-HI/LO-NG/120VAC	200k	\$7,072.00
TOR-97X8SSEI-L-HI/LO-NG/120VAC	300k	\$7,431.00
TOR-121X8SSEI-L-HI/LO-NG/120V	300k	\$8,732.00

Rock	Glass
1 bag	20lbs
2 bags	30lbs
2 bags	40lbs
2 bags	40lbs
4 bags	50lbs
4 bags	60lbs
6 bags	80lbs

ON/OFF Series - Electronic Ignition

Insert Size*	Burner Sz.
25" x 8" x 9-1/4"	24"
37" x 8" x 9-1/4"	36"
49" x 8" x 9-1/4"	48"
61" x 8" x 9-1/4"	60"
73" x 8" x 9-1/4"	72"
97" x 8" x 9-1/4"	96"
121" x 8" x 9-1/4"	120"

SKU - TORPEDO BURNER	BTU	MSRP
TOR-25X8SSEI-L-NG/120VAC	75k	\$3,821.00
TOR-37X8SSEI-L-NG/120VAC	115k	\$4,243.00
TOR-49X8SSEI-L-NG/120VAC	150k	\$4,711.00
TOR-61X8SSEI-L-NG/120VAC	175k	\$5,759.00
TOR-73X8SSEI-L-NG/120VAC	200k	\$6,301.00
TOR-97X8SSEI-L-NG/120VAC	300k	\$6,649.00
TOR-121X8SSEI-L-NG/120VAC	300k	\$7,930.00

Rock	Glass
1 bag	20lbs
2 bags	30lbs
2 bags	40lbs
2 bags	40lbs
4 bags	50lbs
4 bags	60lbs
6 bags	80lbs

FPPK Series - Push-Button Ignition

Insert Size*	Burner Sz.
25" x 8" x 5-1/2"	24"
37" x 8" x 5-1/2"	36"
49" x 8" x 5-1/2"	48"
61" x 8" x 5-1/2"	60"
73" x 8" x 5-1/2"	72"

SKU - TORPEDO BURNER	BTU	MSRP
TOR-FPPK25X8-L-FLEX-NG	75k	\$1,775.00
TOR-FPPK37X8-L-FLEX-NG	115k	\$1,911.00
TOR-FPPK49X8-L-FLEX-NG	150k	\$2,083.00
TOR-FPPK61X8-L-FLEX-NG	175k	\$2,753.00
TOR-FPPK73X8-L-FLEX-NG	200k	\$3,137.00

Rock	Glass
1 bag	20lbs
2 bags	30lbs
2 bags	40lbs
2 bags	40lbs
4 bags	50lbs

FPPK Series - Push-Button Ignition - Small Tank

Insert Size*	Burner Sz.
25" x 8" x 5-1/2"	24"
37" x 8" x 5-1/2"	36"
49" x 8" x 5-1/2"	48"
61" x 8" x 5-1/2"	60"

SKU - TORPEDO BURNER	BTU	MSRP
TOR-FPPK25X8-L-FLEX-LP-ST	75k	\$1,936.00
TOR-FPPK37X8-L-FLEX-LP-ST	115k	\$2,076.00
TOR-FPPK49X8-L-FLEX-LP-ST	150k	\$2,244.00
TOR-FPPK61X8-L-FLEX-LP-ST	175k	\$2,915.00

Rock	Glass
1 bag	20lbs
2 bags	30lbs
2 bags	40lbs
2 bags	40lbs

MLFPK Series - Match-Lit Ignition

Insert Size*	Burner Sz.
25" x 8" x 5-1/2"	24"
37" x 8" x 5-1/2"	36"
49" x 8" x 5-1/2"	48"

SKU - TORPEDO BURNER	BTU	MSRP
TOR-MLFPK25X8-L-FLEX-NG	65k	\$667.00
TOR-MLFPK37X8-L-FLEX-NG	65k	\$775.00
TOR-MLFPK49X8-L-FLEX-NG	65k	\$954.00

Rock	Glass
1 bag	20lbs
2 bags	30lbs
2 bags	40lbs

MLFPK Series - Match-Lit Ignition - Small Tank

Insert Size*	Burner Sz.
25" x 8" x 5-1/2"	24"
37" x 8" x 5-1/2"	36"
49" x 8" x 5-1/2"	48"

SKU - TORPEDO BURNER	BTU	MSRP
TOR-MLFPK25X8-L-FLEX-LP-ST	65k	\$871.00
TOR-MLFPK37X8-L-FLEX-LP-ST	65k	\$979.00
TOR-MLFPK49X8-L-FLEX-LP-ST	65k	\$1,151.00

Rock	Glass
1 bag	20lbs
2 bags	30lbs
2 bags	40lbs

*Insert Size: Insert height includes 1-1/2" pan depth.



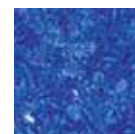
Electronic Ignition
Components: pg 93, 94



Push Button Ignition
Components: pg 93, 95



Match Lit Ignition
Components: pg 93



Media
pg 82



Covers
pg 84



Wind Guards
pg 86



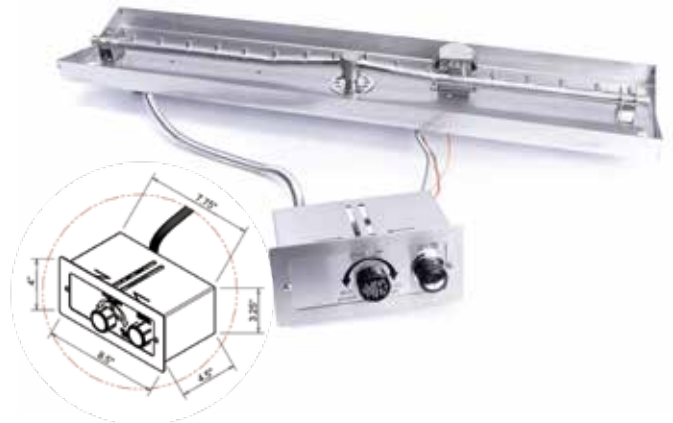


ELECTRONIC IGNITION / EI



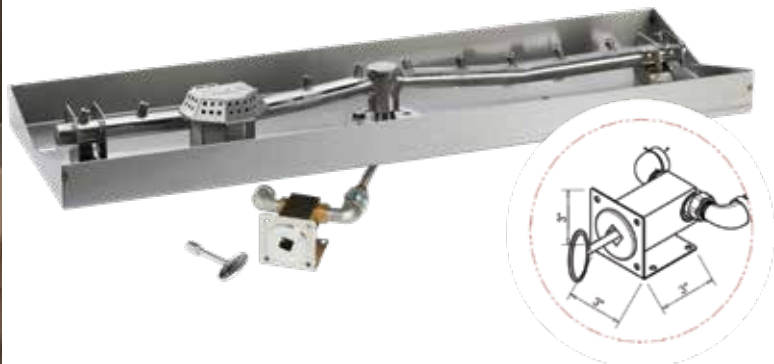
ON/OFF models provide plug-and-play operation. Optional remote-activated switches are available. The HI/LO models can be controlled via Bluetooth and allows for adjustable flame height. Flame height can also be set on install with trimmer valve.

PUSH BUTTON IGNITION / FPPK



Push button fire pits are controlled with a simple knob and button on a stainless steel valve box. FPPK models feature a flame-sensing system that automatically turns the gas off if the flame is extinguished.

MATCH LIT IGNITION / MLFPK

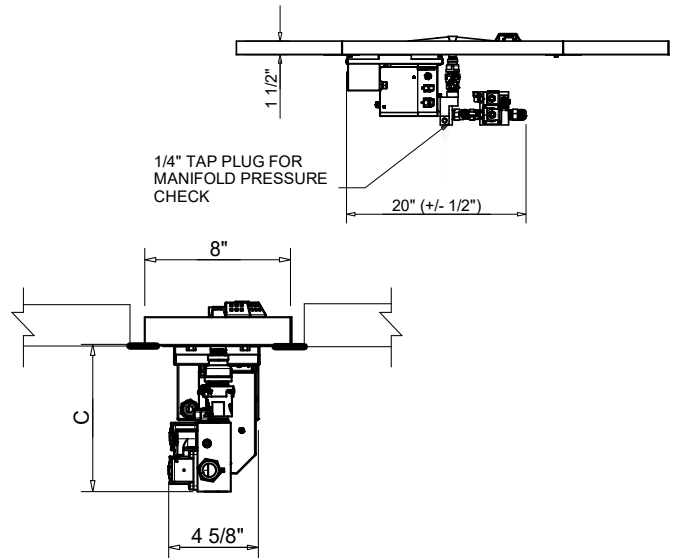


Match lit fire pits are ignited simply by turning the key valve and lighting the gas with a lighter.

INTERLINK (cont.)

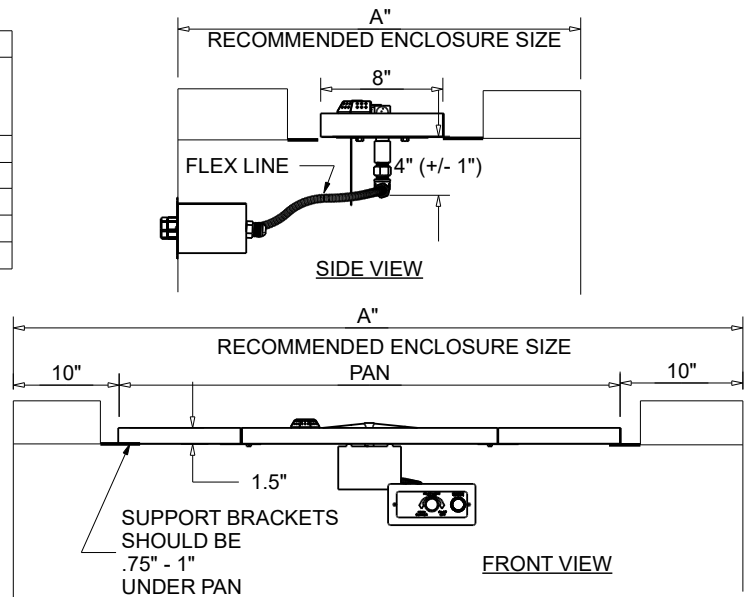
Electronic Ignition - Specifications

PART NUMBER	BTU	DIMENSION CHART		
		PAN	BURNER	C (+/- 1/2")
TOR-25X8SSEI-L	75K	25"	24"	7-3/4"
TOR-37X8SSEI-L	115K	37"	36"	7-3/4"
TOR-49X8SSEI-L	150K	49"	48"	7-3/4"
TOR-61X8SSEI-L	175K	61"	60"	7-3/4"
TOR-73X8SSEI-L	200K	73"	72"	7-3/4"
TOR-97X8SSEI-L	300K	97"	96"	7-3/4"
TOR-121X8SSEI-L	300K	121"	120"	7-3/4"



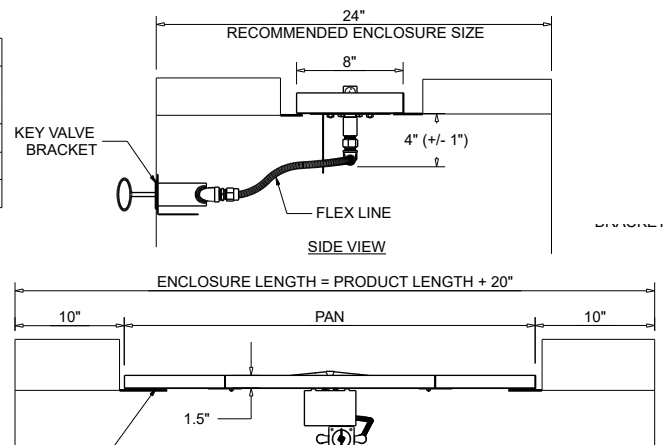
Push Button Ignition - Specifications

PART NUMBER		DIMENSION CHART			
		PAN	STANDARD BTU TORPEDO	A"	STND FLEX LINE LENGTH
TOR-	FPPK25X8-L-FLEX	25"	75K	45LX24W	36"
TOR-	FPPK37X8-L-FLEX	37"	115K	57LX24W	36"
TOR-	FPPK49X8-L-FLEX	49"	150K	69LX24W	36"
TOR-	FPPK61X8-L-FLEX	61"	175K	81LX24W	36"
TOR-	FPPK73X8-L-FLEX	73"	200K	93LX24W	36"



Match Lit Ignition - Specifications

PART NUMBER		DIMENSION CHART			
		PAN	STANDARD BTU		STND FLEX LINE LENGTH
			PENTA	TORPEDO	
TOR-	MLFPPK25X8-L-FLEX	25"	50K	65K	36"
TOR-	MLFPPK37X8-L-FLEX	37"	65K	65K	36"
TOR-	MLFPPK49X8-L-FLEX	49"	65K	65K	36"



OUTDOOR FIREPLACES

CERTIFIED FIRE PIT INSERTS

Our certified fireplace inserts are sure to make an impact in your outdoor living space. Available in two distinctive styles and designed ideally for retrofit or new construction, these burners pair exceptionally well with our ceramic log sets.

Installation Considerations

- For outdoor use ONLY
- For use with fixed piping systems only; not for use with small tanks
- Select a location that allows for easy access for installation and maintenance
- Maintain 18" of vertical space and 18" of depth in fireplace cavity
- Consult product instructions for fireplace cavity width



BENEFITS

- Low profile with multiple media choices
- Weather resistant valve
- Fully assembled, commercial grade, CSA-certified fireplace insert

FEATURES

- Adjustable feet for burner height changes
- Bluetooth control (on select models)
- Weep holes for water drainage

SPECIFICATIONS

- Composed of black powder-coated stainless steel

Highlights = best sellers

Need LP or 24-Volt Models?

Change "NG" to "LP" in SKU for liquid propane applications
Change "120VAC" to "24VAC" in SKU for 24-V applications

Dual Step HI/LO - Electronic Ignition

Insert Size	Burner Sz.	SKU	BTU	MSRP
22" x 10" x 3"	21"	DBOF22EI-HI/LO-NG/120VAC	90k	\$3,038.00
28" x 10" x 3"	27"	DBOF28EI-HI/LO-NG/120VAC	110k	\$3,101.00

Dual Step ON/OFF - Electronic Ignition

Insert Size	Burner Sz.	SKU	BTU	MSRP
22" x 10" x 3"	21"	DBOF22EI-NG/120VAC	90k	\$2,411.00
28" x 10" x 3"	27"	DBOF28EI-NG/120VAC	110k	\$2,474.00

Dual Step - Push Button Ignition

Insert Size	Burner Sz.	SKU	BTU	MSRP
27" x 11" x 3"	21"	DBOF27PBFS-NG	90k	\$935.00
33" x 11" x 3"	27"	DBOF33PBFS-NG	110k	\$1,001.00

Linear HI/LO - Electronic Ignition

Insert Size	Burner Sz.	SKU	BTU	MSRP
22" x 6" x 3"	21"	LBOF22EI-HI/LO-NG/120VAC	50k	\$3,005.00
38" x 6" x 3"	27"	LBOF28EI-HI/LO-NG/120VAC	75k	\$3,086.00
46" x 6" x 3"	45"	LBOF46EI-HI/LO-NG/120VAC	100k	\$3,164.00
58" x 6" x 3"	57"	LBOF58EI-HI/LO-NG/120VAC	110k	\$3,310.00
70" x 6" x 3"	69"	LBOF70EI-HI/LO-NG/120VAC	120k	\$3,435.00
82" x 6" x 3"	81"	LBOF82EI-HI/LO-NG/120VAC	130k	\$3,558.00

Linear ON/OFF - Electronic Ignition

Insert Size	Burner Sz.	SKU	BTU	MSRP
22" x 6" x 3"	21"	LBOF22EI-NG/120VAC	50k	\$2,282.00
38" x 6" x 3"	27"	LBOF28EI-NG/120VAC	75k	\$2,339.00
46" x 6" x 3"	45"	LBOF46EI-NG/120VAC	100k	\$2,387.00
58" x 6" x 3"	57"	LBOF58EI-NG/120VAC	110k	\$2,495.00
70" x 6" x 3"	69"	LBOF70EI-NG/120VAC	120k	\$2,620.00
82" x 6" x 3"	81"	LBOF82EI-NG/120VAC	130k	\$2,772.00

Linear - Push Button Ignition

Insert Size	Burner Sz.	SKU	BTU	MSRP
27" x 11" x 3"	21"	LBOF27PBFS-NG	50k	\$894.00
33" x 11" x 3"	27"	LBOF33PBFS-NG	75k	\$929.00
51" x 11" x 3"	45"	LBOF51PBFS-NG	100k	\$1,016.00
63" x 11" x 3"	57"	LBOF63PBFS-NG	110k	\$1,141.00
75" x 11" x 3"	69"	LBOF75PBFS-NG	120k	\$1,237.00
87" x 11" x 3"	81"	LBOF87PBFS-NG	130k	\$1,351.00



Dual Step EI Burner



Linear EI Burner

COMPLETE THE LOOK

Fireplace kits are available, including burner, grate, and logs. See page 97 for a chart containing all of the relevant part numbers!

Adjustable Feet



High Setting



Low Setting



MATCH LIT KITS

FIRE PIT KITS & DIY UNITS

NOW INCLUDING PANS! HPC's uncertified match lit kits are the perfect solution for anyone looking for a high-powered flame. Although they are not certified by CSA, they are still completely safe-- they are simply classified as a "high pressure" unit.

Installation Considerations

- Minimum of 2" clearance between bottom of insert and ground is required
- No more than two sides should be enclosed
- 36"-48" clearance to combustibles (depending on size); 36" up to 200k BTU
- Minimum two sides ventilated
- Minimum 50% free air space within enclosure
- 24VAC models require HPC/SEBCO 24VAC, 100W power supply for inserts ONLY



BENEFITS

- Uncertified match lit kits are capable of surpassing the BTU limit set by CSA certification standards while still being safe and family-friendly.

FEATURES

- Includes everything you need to put a fire pit together: burner, pan, valve w/ chrome flange, flex line, and fittings.
- Raised hub for water mitigation
- Weep holes for drainage

SPECIFICATIONS

- Made of #304, 18 gauge stainless steel

WANT BIGGER FLAMES?

Our uncertified Match Lit kits are available as a more powerful alternative to their certified counterparts. CSA certification restricts gas flow, resulting in smaller flames, but these fire pits provide the convenience of a match lit fire pit and the ease of a kit while boasting a big, warm flame. These uncertified kits are the perfect solution-- the same easy controls but with orifices allowing up to 400k BTUs.

Includes burner, pan, valve w/ chrome flange, flex line, and fittings.

🔥 Round Flat - Uncertified Match Lit Kits

Insert Size	Burner Sz.	SKU - STANDARD BURNER	BTU	MSRP	SKU - TORPEDO BURNER	BTU	MSRP	Rock	Glass
ø 18" x 10-1/4"	12"	CFPK/PENTA12 KIT	65k	\$376.00	TOR-CFPK/PENTA12 KIT	65k	\$433.00	2 bags	30lbs
ø 24" x 10-1/4"	18"	CFPK/PENTA18 KIT	125k	\$470.00	TOR-CFPK/PENTA18 KIT	140k	\$540.00	2 bags	50lbs
ø 30" x 12-1/4"	24"	CFPK/PENTA24 KIT	200k	\$609.00	TOR-CFPK/PENTA24 KIT	225k	\$701.00	2 bags	80lbs
ø 36" x 13-1/4"	30"	CFPK/PENTA30 KIT	300k	\$794.00	TOR-CFPK/PENTA30 KIT	250k	\$913.00	4 bags	110lbs
ø 42" x 14-1/4"	36"	CFPK/PENTA36 KIT	350k	\$986.00	TOR-CFPK/PENTA36 KIT	350k	\$1,134.00	4 bags	150lbs
ø 54" x 14-1/4"	48"	CFPK/PENTA48 KIT	400k	\$1,399.00	TOR-CFPK/PENTA48 KIT	400k	\$1,607.00	6 bags	250lbs

🔥 Square Flat - Uncertified Match Lit Kits

Insert Size	Burner Sz.	SKU - STANDARD BURNER	BTU	MSRP	SKU - TORPEDO BURNER	BTU	MSRP	Rock	Glass
18" x 18" x 10-1/4"	12"	CFPK/PENTA12-SQ KIT	65k	\$376.00	TOR-CFPK/PENTA12-SQ KIT	65k	\$433.00	2 bags	20lbs
24" x 24" x 10-1/4"	18"	CFPK/PENTA18-SQ KIT	125k	\$470.00	TOR-CFPK/PENTA18-SQ KIT	140k	\$540.00	2 bags	30lbs
30" x 30" x 12-1/4"	24"	CFPK/PENTA24-SQ KIT	200k	\$609.00	TOR-CFPK/PENTA24-SQ KIT	225k	\$701.00	2 bags	50lbs
36" x 36" x 13-1/4"	30"	CFPK/PENTA30-SQ KIT	300k	\$794.00	TOR-CFPK/PENTA30-SQ KIT	250k	\$913.00	6 bags	70lbs
42" x 42" x 14-1/4"	36"	CFPK/PENTA36-SQ KIT	350k	\$987.00	TOR-CFPK/PENTA36-SQ KIT	350k	\$1,135.00	6 bags	100lbs

🔥 Trough - Uncertified Match Lit Kits

Insert Size	Burner Sz.	SKU - TORPEDO BURNER	BTU	MSRP	Rock	Glass
24" x 8" x 10-1/4"	24"	TOR-CFPK/TRGH24 KIT	75k	\$563.00	1 bag	20lbs
36" x 8" x 10-1/4"	36"	TOR-CFPK/TRGH36 KIT	115k	\$643.00	2 bags	30lbs
48" x 8" x 10-1/4"	48"	TOR-CFPK/TRGH48 KIT	150k	\$815.00	2 bags	40lbs
60" x 8" x 10-1/4"	60"	TOR-CFPK/TRGH60 KIT	175k	\$1,542.00	2 bags	50lbs
72" x 8" x 10-1/4"	72"	TOR-CFPK/TRGH72 KIT	200k	\$2,011.00	2 bags	60lbs
96" x 8" x 10-1/4"	96"	TOR-CFPK/TRGH96 KIT	300k	\$2,435.00	2 bags	80lbs

🔥 Interlink - Uncertified Match Lit Kits

Insert Size	Burner Sz.	SKU - TORPEDO BURNER	BTU	MSRP	Rock	Glass
25" x 8" x 10-1/4"	24"	TOR-CFPK/LINEAR25x8 KIT	75k	\$628.00	1 bag	30lbs
37" x 8" x 10-1/4"	36"	TOR-CFPK/LINEAR37x8 KIT	115k	\$705.00	2 bags	40lbs
49" x 8" x 10-1/4"	48"	TOR-CFPK/LINEAR49x8 KIT	150k	\$873.00	2 bags	50lbs
61" x 8" x 10-1/4"	60"	TOR-CFPK/LINEAR61x8 KIT	175k	\$1,320.00	2 bags	60lbs
73" x 8" x 10-1/4"	72"	TOR-CFPK/LINEAR73x8 KIT	200k	\$1,703.00	4 bags	70lbs
97" x 8" x 10-1/4"	96"	TOR-CFPK/LINEAR97x8 KIT	300k	\$1,918.00	4 bags	90lbs
121" x 8" x 10-1/4"	120"	TOR-CFPK/LINEAR121x8 KIT	300k	\$2,323.00	6 bags	110lbs



🔥 H-Burner - Uncertified Match Lit Kits

Insert Size	Burner Sz.	SKU - TORPEDO BURNER	BTU	MSRP	Rock	Glass
24" x 12" x 10-1/4"	18" x 6"	TOR-CFPK/HBSB18 KIT	115k	\$457.00	2 bags	30lbs
30" x 12" x 10-1/4"	24" x 6"	TOR-CFPK/HBSB24 KIT	150k	\$501.00	2 bags	40 lbs
36" x 14" x 10-1/4"	30" x 8"	TOR-CFPK/HBSB30 KIT	175k	\$677.00	2 bags	60 lbs
42" x 14" x 10-1/4"	36" x 8"	TOR-CFPK/HBSB36 KIT	200k	\$905.00	2 bags	70 lbs
54" x 16" x 10-1/4"	48" x 10"	TOR-CFPK/HBSB48 KIT	250k	\$1,147.00	4 bags	90 lbs
66" x 16" x 10-1/4"	60" x 10"	TOR-CFPK/HBSB60 KIT	300k	\$1,266.00	6 bags	110 lbs
78" x 16" x 10-1/4"	72" x 10"	TOR-CFPK/HBSB72 KIT	350k	\$2,081.00	6 bags	130 lbs
90" x 16" x 10-1/4"	84" x 10"	TOR-CFPK/HBSB84 KIT	400k	\$3,288.00	8 bags	150 lbs



READY-TO-FINISH

FIRE PIT KITS & DIY UNITS

Blank canvasses for your backyard overhaul. These units are designed to be tiled, painted, or stone-clad however you'd like. **Custom designs are available!**

Installation Considerations

Enclosure Cladding SQ FT:

- 26.6 (45" round); 34.6 (54" round)
- 30.3 (45" octagon); 39 (54" octagon)
- 34 (45" square)
- 30.6 (60" + 30" insert); 29.5 (60" + 36" insert)
- 31.3 (60" + 37" insert); 30.5 (60" + 49" insert)



BENEFITS

- Strong HardieBoard walls
- Unfinished to allow any cladding to match your space
- Custom shapes and dimensions are available upon request

FEATURES

- Pre-cut ventilation
- Pre-cut push button or match lit install holes
- Pre-cut insert space

SPECIFICATIONS

- Variable stock sizes
- 18" tall enclosure for comfortable height near seating

Need LP or 24-Volt Models?

Change "NG" to "LP" in SKU for liquid propane applications
Change "120VAC" to "24VAC" in SKU for 24-V applications

🔥 Electronic Ignition - Ready to Finish Kits

Enclosure Shape	Size	Insert Size
Round	45" x 18"	25" bowl
Round	54" x 18"	25" bowl
Octagon	45" x 18"	25" bowl
Octagon	54" x 18"	25" bowl
Square	45" x 45" x 18"	25" bowl
Rectangle (H burner)	60" x 24" x 18"	30" x 12"
Rectangle (H burner)	60" x 24" x 18"	36" x 14"
Rectangle (Interlink)	60" x 24" x 18"	37" x 8"
Rectangle (Interlink)	60" x 24" x 18"	49" x 8"
Rectangle (Trough)	60" x 24" x 18"	36" x 8"
Rectangle (Trough)	60" x 24" x 18"	48" x 8"

SKU - STANDARD BURNER	BTU	MSRP
U45R/25SSCEK-NG/120VAC	125k	\$5,913.00
U54R/25SSCEK-NG/120VAC	125k	\$5,966.00
U45O/25SSCEK-NG/120VAC	125k	\$5,851.00
U54O/25SSCEK-NG/120VAC	125k	\$5,913.00
U45S/25SSCEK-NG/120VAC	125k	\$5,810.00
n/a	n/a	n/a
n/a	n/a	n/a
n/a	n/a	n/a
n/a	n/a	n/a
n/a	n/a	n/a
n/a	n/a	n/a
n/a	n/a	n/a

SKU - TORPEDO BURNER	BTU	MSRP
TOR-U45R/25SSCEK-NG/120VAC	140k	\$7,096.00
TOR-U54R/25SSCEK-NG/120VAC	140k	\$7,159.00
TOR-U45O/25SSCEK-NG/120VAC	140k	\$7,022.00
TOR-U54O/25SSCEK-NG/120VAC	140k	\$7,096.00
TOR-U45S/25SSCEK-NG/120VAC	140k	\$6,971.00
TOR-U60X24/30X12CEK-NG/120VAC	150k	\$7,348.00
TOR-U60X24/36X14CEK-NG/120VAC	175k	\$7,746.00
TOR-U60X24/37X8CEK-NG/120VAC	115k	\$7,065.00
TOR-U60X24/49X8CEK-NG/120VAC	150k	\$7,348.00
TOR-U60X24/36CEK-NG/120VAC	115k	\$7,424.00
TOR-U60X24/48CEK-NG/120VAC	150k	\$7,725.00

🔥 Push Button Ignition - Ready to Finish Kits

Enclosure Shape	Size	Insert Size
Round	45" x 18"	25" bowl
Round	54" x 18"	25" bowl
Octagon	45" x 18"	25" bowl
Octagon	54" x 18"	25" bowl
Square	45" x 45" x 18"	25" bowl
Rectangle (H burner)	60" x 24" x 18"	30" x 12"
Rectangle (H burner)	60" x 24" x 18"	36" x 14"
Rectangle (Interlink)	60" x 24" x 18"	37" x 8"
Rectangle (Interlink)	60" x 24" x 18"	49" x 8"
Rectangle (Trough)	60" x 24" x 18"	36" x 8"
Rectangle (Trough)	60" x 24" x 18"	48" x 8"

SKU - STANDARD BURNER	BTU	MSRP
U45R/FPPK25CEK-NG	125k	\$4,414.00
U54R/FPPK25CEK-NG	125k	\$4,501.00
U45O/FPPK25CEK-NG	125k	\$4,338.00
U54O/FPPK25CEK-NG	125k	\$4,456.00
U45S/FPPK25CEK-NG	125k	\$4,260.00
n/a	n/a	n/a
n/a	n/a	n/a
n/a	n/a	n/a
n/a	n/a	n/a
n/a	n/a	n/a
n/a	n/a	n/a
n/a	n/a	n/a

SKU - TORPEDO BURNER	BTU	MSRP
TOR-U45R/FPPK25CEK-NG	140k	\$5,297.00
TOR-U54R/FPPK25CEK-NG	140k	\$5,401.00
TOR-U45O/FPPK25CEK-NG	140k	\$5,206.00
TOR-U54O/FPPK25CEK-NG	140k	\$5,347.00
TOR-U45S/FPPK25CEK-NG	140k	\$5,112.00
TOR-U60X24/30X12FPPKCEK-NG	150k	\$5,628.00
TOR-U60X24/36X14FPPKCEK-NG	150k	\$5,847.00
TOR-U60X24/37X8FPPKCEK-NG	115k	\$4,868.00
TOR-U60X24/49X8FPPKCEK-NG	150k	\$5,029.00
TOR-U60X24/36FPPKCEK-NG	115k	\$4,950.00
TOR-U60X24/48FPPKCEK-NG	150k	\$5,130.00

CAN'T FIND WHAT YOU'RE LOOKING FOR? CUSTOM SHAPES & SIZES AVAILABLE!



Round Enclosure



Square Enclosure



Octagon Enclosure



Rectangle Enclosure





Need LP or 24-Volt Models?

Change "NG" to "LP" in SKU for liquid propane applications
Change "120VAC" to "24VAC" in SKU for 24-V applications

Match Lit Ignition - Ready to Finish Kits

Enclosure Shape	Size	Insert Size
Round	45" x 18"	25" bowl
Round	54" x 18"	25" bowl
Octagon	45" x 18"	25" bowl
Octagon	54" x 18"	25" bowl
Square	45" x 45" x 18"	25" bowl
Rectangle (H burner)	60" x 24" x 18"	30" x 12"
Rectangle (H burner)	60" x 24" x 18"	36" x 14"
Rectangle (Interlink)	60" x 24" x 18"	37" x 8"
Rectangle (Interlink)	60" x 24" x 18"	49" x 8"
Rectangle (Trough)	60" x 24" x 18"	36" x 8"
Rectangle (Trough)	60" x 24" x 18"	48" x 8"

SKU - STANDARD BURNER	BTU	MSRP
U45R/MLFPK25CEK-NG	65k	\$3,348.00
U54R/MLFPK25CEK-NG	65k	\$3,424.00
U45O/MLFPK25CEK-NG	65k	\$3,287.00
U54O/MLFPK25CEK-NG	65k	\$3,410.00
U45S/MLFPK25CEK-NG	65k	\$3,253.00
n/a	n/a	n/a
n/a	n/a	n/a
n/a	n/a	n/a
n/a	n/a	n/a
n/a	n/a	n/a
n/a	n/a	n/a

SKU - TORPEDO BURNER	BTU	MSRP
TOR-U45R/MLFPK25CEK-NG	65k	\$4,018.00
TOR-U54R/MLFPK25CEK-NG	65k	\$4,109.00
TOR-U45O/MLFPK25CEK-NG	65k	\$3,944.00
TOR-U54O/MLFPK25CEK-NG	65k	\$4,092.00
TOR-U45S/MLFPK25CEK-NG	65k	\$3,904.00
TOR-U60X24/30X12MLFPKCEK-NG	65k	\$3,868.00
TOR-U60X24/36X14MLFPKCEK-NG	65k	\$4,191.00
TOR-U60X24/37X8MLFPKCEK-NG	65k	\$3,492.00
TOR-U60X24/49X8MLFPKCEK-NG	65k	\$3,671.00
TOR-U60X24/36MLFPKCEK-NG	65k	\$3,492.00
TOR-U60X24/48MLFPKCEK-NG	65k	\$3,671.00

Push Button Ignition Small Tank Series - Ready to Finish Kits

Enclosure Shape	Size	Insert Size
Round	45" x 18"	25" bowl
Square	45" x 45" x 18"	25" bowl
Rectangle (H burner)	60" x 24" x 18"	30" x 12"
Rectangle (Interlink)	60" x 24" x 18"	37" x 8"
Rectangle (Trough)	60" x 24" x 18"	36" x 8"
Rectangle (Trough)	60" x 24" x 18"	48" x 8"

SKU - STANDARD BURNER	BTU	MSRP
UST60R/FPPK25CEK-LP	90k	\$6,390.00
UST54S/FPPK25CEK-LP	90k	\$6,390.00
n/a	n/a	n/a
n/a	n/a	n/a
n/a	n/a	n/a
n/a	n/a	n/a

SKU - TORPEDO BURNER	BTU	MSRP
TOR-UST60R/FPPK25CEK-LP	90k	\$7,667.00
TOR-UST54S/FPPK25CEK-LP	90k	\$7,667.00
TOR-UST70X24/36X14FPPKCEK-LP	90k	\$6,821.00
TOR-UST80X24/49X8FPPKCEK-LP	90k	\$6,474.00
TOR-UST70X24/36FPPKCEK-LP	90k	\$6,259.00
TOR-UST80X24/48FPPKCEK-LP	90k	\$6,341.00

Match Lit Ignition Small Tank Series - Ready to Finish Kits

Enclosure Shape	Size	Insert Size
Round	45" x 18"	25" bowl
Square	45" x 45" x 18"	25" bowl
Rectangle (H burner)	60" x 24" x 18"	30" x 12"
Rectangle (Interlink)	60" x 24" x 18"	37" x 8"
Rectangle (Trough)	60" x 24" x 18"	36" x 8"
Rectangle (Trough)	60" x 24" x 18"	48" x 8"

SKU - STANDARD BURNER	BTU	MSRP
UST60R/MLFPK25CEK-LP	65k	\$5,685.00
UST54S/MLFPK25CEK-LP	65k	\$5,685.00
n/a	n/a	n/a
n/a	n/a	n/a
n/a	n/a	n/a
n/a	n/a	n/a

SKU - TORPEDO BURNER	BTU	MSRP
TOR-UST60R/MLFPK25CEK-LP	65k	\$6,821.00
TOR-UST54S/MLFPK25CEK-LP	65k	\$6,821.00
TOR-UST70X24/36X14MLFPKCEK-LP	65k	\$5,391.00
TOR-UST80X24/49X8MLFPKCEK-LP	65k	\$5,452.00
TOR-UST70X24/36MLFPKCEK-LP	65k	\$5,424.00
TOR-UST80X24/48MLFPKCEK-LP	65k	\$5,506.00

PRE-CUT TO FINISH

All of our LP Small Tank Series Ready-to-Finish enclosures include a cutout + door for easy propane tank access, in addition to the pre-cut key valve / push-button holes when applicable.



BUILT TO LAST

Ready-to-Finish enclosures are made with Hardie Board backer boards and steel bracing for durable, long-lasting construction.



OTHER KITS

FIRE PIT KITS & DIY UNITS

Hardscape block kits and uncertified push button kits.

Installation Considerations

- Minimum of 2" clearance between bottom of insert and ground is required
- No more than two sides should be enclosed
- 36"-48" clearance to combustibles (depending on size)
- Minimum two sides ventilated
- Minimum 50% free air space within enclosure



BENEFITS

- Easy to assemble
- Includes everything you need to put a fire kit together (does not include pavers)

FEATURES

- Raised hub for water mitigation
- Weep holes for drainage

SPECIFICATIONS

- Made of #304, 18 gauge stainless steel

Uncertified Push Button Kits

Bowl Type	Insert Size	Burner Sz.
Round Bowl	19" x 10-1/4"	12"
Round Bowl	25" x 10-1/4"	18"
Round Bowl	31" x 10-1/4"	24"
Round Flat	18" x 10-1/4"	12"
Round Flat	24" x 10-1/4"	18"
Round Flat	30" x 10-1/4"	24"
Square Flat	18" x 10-1/4"	12"
Square Flat	24" x 10-1/4"	18"
Square Flat	30" x 10-1/4"	24"

SKU - STANDARD BURNER	BTU	MSRP
PENTA19FPK-NG	90k	\$1,068.00
PENTA25FPK-NG	125k	\$1,345.00
PENTA31FPK-NG	200k	\$1,576.00
PENTA18FPK-NG	90k	\$788.00
PENTA24FPK-NG	125k	\$1,004.00
PENTA30FPK-NG	200k	\$1,266.00
PENTA18FPK-SQ-NG	90k	\$822.00
PENTA24FPK-SQ-NG	125k	\$968.00
PENTA30FPK-SQ-NG	200k	\$1,318.00

SKU - TORPEDO BURNER	BTU	MSRP
TOR-PENTA19FPK-NG	90k	\$1,281.00
TOR-PENTA25FPK-NG	140k	\$1,614.00
TOR-PENTA31FPK-NG	225k	\$1,891.00
TOR-PENTA18FPK-NG	90k	\$946.00
TOR-PENTA24FPK-NG	140k	\$1,205.00
TOR-PENTA30FPK-NG	225k	\$1,519.00
TOR-PENTA18FPK-SQ-NG	90k	\$986.00
TOR-PENTA24FPK-SQ-NG	140k	\$1,161.00
TOR-PENTA30FPK-SQ-NG	225k	\$1,581.00

Uncertified Push Button Kits include: pan, burner, push button ignition switch and igniter, chrome decorative key valve, fittings, and flex line. **Natural gas only, not CSA certified.**

Match Lit Ignition - Hardscape Block Kits

Bowl Type	Insert Size
Round Flat	8" x 10-1/4"
Round Flat	14" x 10-1/4"
Round Flat	18" x 10-1/4"
Round Flat	24" x 10-1/4"
Round Flat	30" x 10-1/4"
Square Flat	18" x 18" x 10-1/4"
Square Flat	24" x 24" x 10-1/4"
Square Flat	30" x 30" x 10-1/4"
H-Burner	24" x 12" x 10-1/4"
H-Burner	30" x 12" x 10-1/4"
H-Burner	36" x 14" x 10-1/4"
Interlink	25" x 8" x 10-1/4"
Interlink	37" x 8" x 10-1/4"
Interlink	49" x 8" x 10-1/4"

SKU - STANDARD BURNER	MSRP
BLOCK-MLFPK8-FLEX-NG	\$894.00
BLOCK-PENTA14 MLFPK-FLEX-NG	\$1,142.00
BLOCK-PENTA18 MLFPK-FLEX-NG	\$1,130.00
BLOCK-PENTA24 MLFPK-FLEX-NG	\$1,319.00
BLOCK-PENTA30 MLFPK-FLEX-NG	\$1,773.00
BLOCK-MLFPK18SQ-FLEX-NG	\$814.00
BLOCK-MLFPK24SQ-FLEX-NG	\$925.00
BLOCK-MLFPK30SQ-FLEX-NG	\$1,184.00
n/a	n/a
n/a	n/a
n/a	n/a
n/a	n/a
n/a	n/a
n/a	n/a

SKU - TORPEDO BURNER	MSRP
n/a	n/a
n/a	n/a
n/a	n/a
n/a	n/a
n/a	n/a
n/a	n/a
n/a	n/a
n/a	n/a
TOR-BLOCK-MLFPK24X12-H-FLEX-NG	\$1,496.00
TOR-BLOCK-MLFPK30X12-H-FLEX-NG	\$1,621.00
TOR-BLOCK-MLFPK36X14-H-FLEX-NG	\$2,523.00
TOR-BLOCK-MLFPK25X8-L-FLEX-NG	\$1,247.00
TOR-BLOCK-MLFPK37X8-L-FLEX-NG	\$1,751.00
TOR-BLOCK-MLFPK49X8-L-FLEX-NG	\$2,294.00

Push Button Ignition - Hardscape Block Kits

Bowl Type	Insert Size
Round Flat	14" x 10-1/4"
Round Flat	18" x 10-1/4"
Round Flat	24" x 10-1/4"
Round Flat	30" x 10-1/4"
Round Flat	36" x 10-1/4"
Square Flat	18" x 18" x 10-1/4"
Square Flat	24" x 24" x 10-1/4"
Square Flat	30" x 30" x 10-1/4"
Square Flat	36" x 36" x 10-1/4"
H-Burner	24" x 12" x 10-1/4"
H-Burner	30" x 12" x 10-1/4"
H-Burner	36" x 14" x 10-1/4"
H-Burner	42" x 14" x 10-1/4"
H-Burner	54" x 16" x 10-1/4"
Interlink	25" x 8" x 10-1/4"
Interlink	37" x 8" x 10-1/4"
Interlink	49" x 8" x 10-1/4"
Interlink	61" x 8" x 10-1/4"
Interlink	73" x 8" x 10-1/4"
Interlink	97" x 8" x 10-1/4"

SKU - STANDARD BURNER	MSRP
BLOCK-FPPK14-FLEX-NG	\$1,925.00
BLOCK-PENTA18FPPK-FLEX-NG	\$2,047.00
BLOCK-PENTA24FPPK-FLEX-NG	\$2,265.00
BLOCK-PENTA30FPPK-FLEX-NG	\$2,834.00
BLOCK-PENTA36FPPK-FLEX-NG	\$3,362.00
BLOCK-FPPK18-SQ-FLEX-NG	\$2,119.00
BLOCK-FPPK24-SQ-FLEX-NG	\$2,601.00
BLOCK-FPPK30-SQ-FLEX-NG	\$2,902.00
BLOCK-FPPK36-SQ-FLEX-NG	\$3,362.00
n/a	n/a
n/a	n/a
n/a	n/a
n/a	n/a
n/a	n/a
n/a	n/a
n/a	n/a
n/a	n/a
n/a	n/a
n/a	n/a
n/a	n/a
n/a	n/a
n/a	n/a
n/a	n/a
n/a	n/a

SKU - TORPEDO BURNER	MSRP
n/a	n/a
n/a	n/a
n/a	n/a
n/a	n/a
n/a	n/a
n/a	n/a
n/a	n/a
n/a	n/a
n/a	n/a
TOR-BLOCK-FPPK24X12-H-FLEX-NG	\$2,822.00
TOR-BLOCK-FPPK30X12-H-FLEX-NG	\$3,145.00
TOR-BLOCK-FPPK36X14-H-FLEX-NG	\$3,721.00
TOR-BLOCK-FPPK42X14-H-FLEX-NG	\$3,954.00
TOR-BLOCK-FPPK54X16-H-FLEX-NG	\$4,319.00
TOR-BLOCK-FPPK25X8-L-FLEX-NG	\$2,242.00
TOR-BLOCK-FPPK37X8-L-FLEX-NG	\$2,728.00
TOR-BLOCK-FPPK49X8-L-FLEX-NG	\$2,900.00
TOR-BLOCK-FPPK61X8-L-FLEX-NG	\$3,570.00
TOR-BLOCK-FPPK73X8-L-FLEX-NG	\$3,954.00
TOR-BLOCK-FPPK97X8-L-FLEX-NG	\$4,377.00

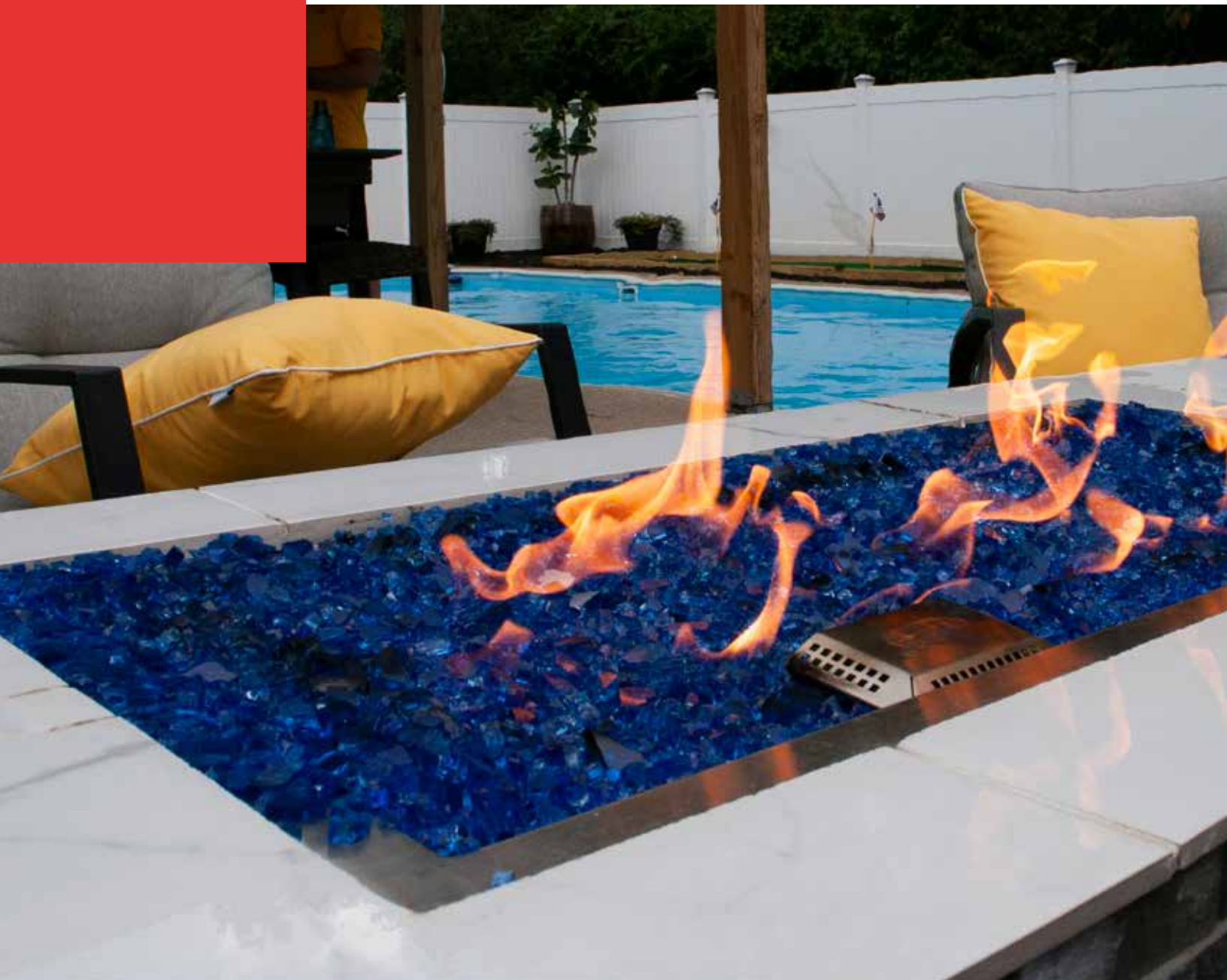
Hardscape block kits include: fire pit insert, flex form collars (44" x 6.2"), 2x vents (9" x 4"), SSC24 flex line (24"), and lava rock. **Pavers are not included.**



FIRE PIT MEDIA

FIRE PIT ACCESSORIES

Media enhances the overall appearance of your fire feature by making it look more natural, stylized, amplifying the flames.



Fire Logs

Style	Size	Pieces
Arizona Weathered Oak	12"-18"	9
Arizona Weathered Oak	14"-18"	16
Aspen Birch	11"-18"	9
Aspen Birch	13"-18"	16
Western Driftwood	10"-18"	9
Western Driftwood	10"-21"	16

SKU	MSRP
FPL18/24AW09	\$584.00
FPL30/36AW016	\$1,074.00
FPL18/24AB9	\$584.00
FPL30/36AB16	\$1,074.00
FPL18/24WD9	\$584.00
FPL30/36WD16	\$1,074.00



ARIZONA WEATHERED OAK



ASPEN BIRCH



WESTERN DRIFTWOOD

Lava & Ceramic Rock

Style	Size	Color
Lava Rock	1"-2"	Black
Rolled Lava Stone	1"-2"	Black
Rolled Lava Stone	2.5"-4.5"	Black
Ceramic River Rock	2.5"-4.5"	Multicolor
Ceramic River Rock	2.5"-4.5"	Black

SKU	MSRP
657	\$34.00
857S	\$185.00
857M	\$221.00
FPR84MC	\$525.00
FPR84BL	\$493.00



LAVA ROCK



ROLLED LAVA STONE



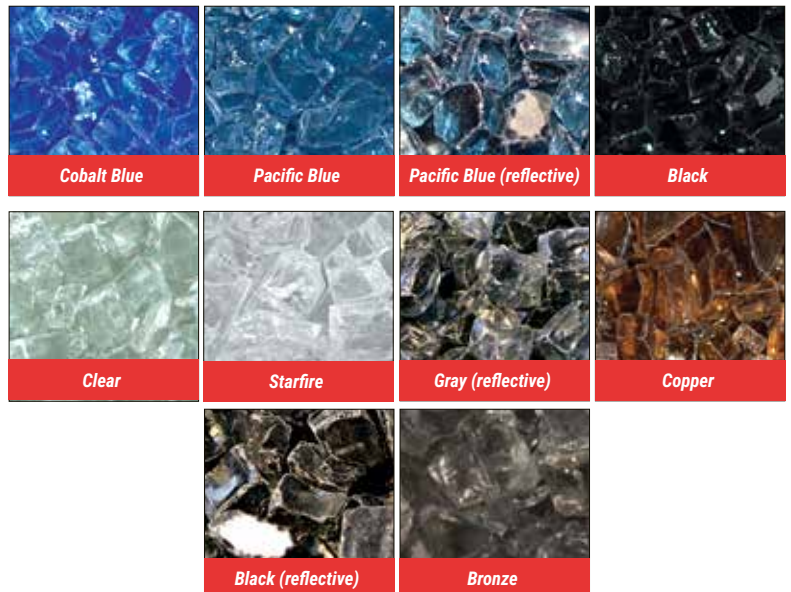
CERAMIC RIVER ROCK (BLACK)



CERAMIC RIVER ROCK (MULTICOLOR)

Fire Glass

Color	SKU	MSRP (per lb)
Cobalt Blue	FPGLCOBALTBLUE	\$5.00
Pacific Blue	FPGLPACIFICBLUE	\$5.00
Pacific Blue (reflective)	FPGLPACBLUREF	\$6.00
Black	FPGLBLACK	\$5.00
Clear	FPGLCLEAR	\$5.00
Starfire	FPGLSTARFIRE	\$5.00
Gray (reflective)	FPGLGRAYREFLEC	\$6.00
Copper	FPGLCOPPER	\$5.00
Black (reflective)	FPGLBLACKREFL	\$6.00
Bronze	FPGLBRONZE	\$5.00



NOTE: Fire glass is priced per lb, but sold only in 10lb increments.

FIRE PIT COVERS

FIRE PIT ACCESSORIES

Fire pit covers help protect your fire pit against the elements, provide an elevated aesthetic appeal, and improve the fire feature's longevity.

Installation Considerations

- Consider the weather that your fire pit will need protection against, the size you will need, and what will best match your environment



BENEFITS

- Excellent weather mitigation to protect fire pit.

FEATURES

- Handles and straps where applicable. Various sizes and custom options are available.

SPECIFICATIONS

- Made of black or grey vinyl, stainless steel, copper, or powder-coat aluminum.

Aluminum Covers

Style	Size	Height	Weight
Copper Vein	24"	1"	6lbs
Copper Vein	36"	1"	13lbs
Copper Vein	48"	1"	23.5lbs
Copper Vein (tall)	32"	10"	15lbs
Copper Vein (tall)	44"	14"	20lbs
Black	24"	1"	6lbs
Black	36"	1"	13lbs
Black	48"	1"	23.5lbs
Black (tall)	32"	10"	15lbs
Black (tall)	44"	14"	20lbs

SKU	MSRP
FPHC-24C	\$487.00
FPHC-36C	\$891.00
FPHC-48C	\$1,058.00
FPHC-32C	\$1,189.00
FPHC-44C	\$1,389.00
FPHC-24BL	\$487.00
FPHC-36BL	\$891.00
FPHC-48BL	\$1,058.00
FPHC-32BL	\$1,189.00
FPHC-44BL	\$1,389.00



Aluminum Covers
(Copper Vein Tall & Black)

Copper Bowl Covers

Style	Size	Height	Weight
Mesa / 26" Tempe	19"	8.5"	7.5lbs
Tempe	32"	5.75"	15lbs
Sierra	26" x 26"	7"	13lbs
Sedona	30" x 30"	7"	13.5lbs

SKU	MSRP
FPHC-26TEMP/32MESA	\$1,197.00
FPHC-31TEMPE	\$1,454.00
FPHC-36SIERRA-SQ	\$1,784.00
FPHC-40SEDONA-SQ	\$1,773.00



Sierra Cover

Stainless Steel Covers

Style	Size	Handles #	Weight
Brushed	28" x 9.5"	1	11lbs
Brushed	28" x 16"	1	16lbs
Brushed	34" x 16"	1	18lbs
Brushed	40" x 9.5"	1	13lbs
Brushed	40" x 18"	1	20lbs
Brushed	46" x 18"	2	22lbs
Brushed	52" x 9.5"	2	15lbs
Brushed	58" x 20"	2	28lbs
Brushed	64" x 9.5"	2	18lbs

SKU	MSRP
TPHC-24SS	\$314.00
HPHC-24X12SS	\$395.00
HPHC-30X12SS	\$463.00
TPHC-36SS	\$380.00
HPHC-36X14SS	\$553.00
HPHC-42X14SS	\$622.00
TPHC-48SS	\$565.00
HPHC-54X16SS	\$690.00
TPHC-60SS	\$667.00



Rectangular SS Cover

Vinyl Covers

Style	Fits Enclosures
Round	23" ~ 35"
Round	30" ~ 45"
Round	35" ~ 53"
Round	43" ~ 64"
Round	60" ~ 76"
Square	36" ~ 48"
Square	45" ~ 60"
Rectangle	34x20" ~ 44x30"
Rectangle	52x20" ~ 62x30"
Rectangle	68x30" ~ 78x40"
Rectangle	80x30" ~ 90x40"
Rectangle	84x20" ~ 94x30"
Rectangle	92x30" ~ 102x40"
Rectangle	104x30" ~ 114x40"
Rectangle	120x20" ~ 130x30"
Evolution360 / H20nfire	Basin
Evolution360 / H20nfire	Bowl
LP Small Tank	n/a
TK Torch Head Cover	n/a

SKU	MSRP
FPC-35	\$111.00
FPC-45	\$132.00
FPC-53	\$149.00
FPC-64	\$211.00
FPC-76	\$235.00
FPC-48SQ	\$204.00
FPC-60SQ	\$235.00
FPC-44X30	\$194.00
FPC-62X30	\$239.00
FPC-78X40	\$249.00
FPC-90X40	\$208.00
FPC-94X30	\$274.00
FPC-102X40	\$225.00
FPC-114X40	\$259.00
FPC-130X30	\$312.00
FPC-84WB	\$343.00
FPC-35	\$111.00
ST-COVER	\$53.00
FPC-TK TORCH	\$80.00



Round Cover



Square Cover



Evo360 Bowl and Basin Cover



Small Tank Cover

WIND GUARDS

FIRE PIT ACCESSORIES

HPC offers wind guards to help protect your flames from the wind and prevent the interference of debris.

Installation Considerations

- Consider the size of wind guard you will need. Wind guards can be combined with kits to accommodate atypically sized fire pits.



BENEFITS

- Easy installation using clips to support tempered glass
- Heat resistant glass

FEATURES

- Wind guard extension kits available to accommodate atypical fire pit sizes

SPECIFICATIONS

- Heavy duty 3/16" clear tempered glass
- Polished aluminum brackets
- Rubber feet

Glass Wind Guards

Shape	Size	SKU	MSRP
Round	23" x 6"	WG23-RD	\$363.00
Round	30" x 6"	WG30-RD	\$436.00
Round	38" x 6"	WG38-RD	\$545.00
Round	48" x 6"	WG48-RD	\$685.00
Square	25" x 25" x 6"	WG25-SQ	\$249.00
Square	31" x 31" x 6"	WG31-SQ	\$270.00
Square	37" x 37" x 6"	WG37-SQ	\$297.00
Square	43" x 43" x 6"	WG43-SQ	\$322.00
Square	49" x 49" x 6"	WG49-SQ	\$363.00
Rectangle	31" x 19" x 6"	WG31X19-RECT	\$275.00
Rectangle	37" x 19" x 6"	WG37X19-RECT	\$296.00
Rectangle	43" x 21" x 6"	WG43X21-RECT	\$322.00
Rectangle	49" x 21" x 6"	WG49X21-RECT	\$353.00
Rectangle	61" x 23" x 6"	WG61X23-RECT	\$415.00
Linear	31" x 15" x 6"	WG31X15-L	\$270.00
Linear	43" x 15" x 6"	WG43X15-L	\$312.00
Linear	55" x 15" x 6"	WG55X15-L	\$384.00
Linear	67" x 15" x 6"	WG67X15-L	\$426.00

HIGH QUALITY PROTECTION

HPC provides high quality glass wind guards specially designed to complement our fire pits and provide additional safety against the active flames. Available in round, square, and rectangular configurations, and made from durable tempered glass, our wind guards are guaranteed long-lasting and heat resistant. Wind guards reduce flame disturbance caused by the wind and prevent loose items from getting too close to the flames.

NOTE: wind guards are designed to prevent accidental interaction with a live flame. They will get hot to the touch and can burn skin if touched.



Round



Square



Linear



Rectangle

Wind Guard Components

Component	Description
Replacement Clip	Chrome clip for round wind guards.
Replacement Clip (Square)	Chrome clip for square & rectangular wind guards.
Replacement Foot	Replacement rubber foot for round wind guards.
Replacement Foot (Square)	Replacement rubber foot for square & rectangular wind guards.
Extension Kit	Complete extension kit: 4 chrome clips and 4 extension glass supports with rubber foot.
Replacement Extension Support	Replacement extension glass support with rubber foot.
Replacement Extension Clip	Replacement chrome extension straight clip for square & rectangular wind guards.

SKU	MSRP
WG-CC-RD	\$14.00
WG-CC-SQ/RECT	\$14.00
WG-RUBBER FOOT-RD	\$8.00
WG-RUBBER FOOT-SQ/RECT	\$8.00
WG-EXT/STR KIT	\$104.00
WG-EGS	\$14.00
WG-SC	\$14.00



WG-CC



WG-RUBBER FOOT-SQ/RECT



WG-CC-SQ/RECT



WG-EGS

EXTENDING WIND GUARDS

Square and rectangular wind guards can be extended to support fire pits with atypical dimensions. By using WG-EXT/STR KIT, one can combine additional glass panels with a base wind guard kit and protect the full insert. See right for example of an installed extension kit.



COMPONENTS

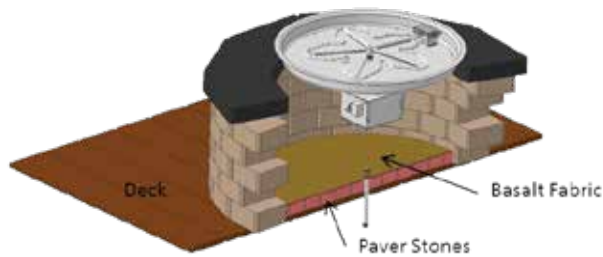
FIRE PIT COMPONENTS



Deck Installation Kit

SKU	MSRP
FPI-DECK20SQ	\$28.00
FPI-DECK39SQ	\$64.00

This kit is needed when installing a gas fire pit on a wood or composite deck. It provides flame and excess heat protection around input flex line connection(s). The basalt insulation is for inside the fire pit enclosure or bowl and should be placed over a layer of paver blocks (1" min. thickness). Incoming gas stub must protrude through the deck, paver blocks and insulation for fire pit flex line connection. The kit includes basalt insulation and instructions, and the insulation measures 39.3" x 39.3" (1 sq. meter)- larger fire pits will require more pieces. The insulation is easily cut to size with utility knife.

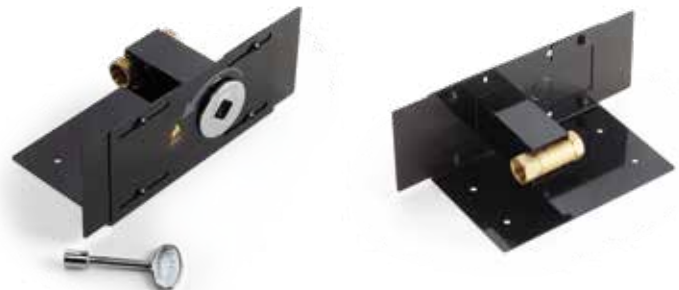


This kit is needed when installing a gas fire pit on a wood or composite deck. It provides flame and excess heat protection around input flex line connection(s). The basalt insulation is for inside the fire pit enclosure or bowl and should be placed over a layer of paver blocks (1" min. thickness). Incoming gas stub must protrude through the deck, paver blocks and insulation for fire pit flex line connection. The kit includes basalt insulation and instructions, and the insulation measures 39.3" x 39.3" (1 sq. meter)- larger fire pits will require more pieces. The insulation is easily cut to size with utility knife.

Paver Block Bracket - Match Lit Ignition

SKU	MSRP
KVMB-PB	\$146.00

Designed for the Dante Valve, this bracket allows flexibility and installation ease of the MLFPK decorative key valve. The face plate is adjustable from 8" to 12" width accommodating most pavers. The valve is securely mounted to bracket using decorative flange. (8-12"W x 3.875H x 5"D)



Replacement Remote Small Tank Kit - Liquid Propane

SKU	MSRP
STLPK	\$165.00

This kit is for use with CSA certified FPPK and MLFPK fire pit models less than 90k Btu- see fire pit insert section for approved models. The kits includes a 90-degree regulator with 72" hose, 24" Flex Line, small tank L-Bracket and fittings for FPPK or MLFPK connection.

Spark Igniter Kit - Match Lit Ignition

SKU	MSRP
SIK36	\$67.00

Easily installed match-lit igniter kit. Produces a battery-activated spark to ignite the gas.

Flex Form Install Collar

SKU	MSRP
IC44SS-FF	\$426.00

The flex form installation collar merges the gap between the fire pit structure and the insert pan for easy installation. This flexible install collar allows for an easy 3 step installation, saving you time with our one size fits all product. The collar can be formed to fit any shaped fire pit and offers an auto centering feature with a curved lip. 2 per carton; 44" x 6.2".

Step 1



Place the collar

Step 2



Install the collar

Step 3



Install the insert

Regulators

SKU	MSRP	Description
770-150	\$155.00	150k BTU pressure regulator (5psi NG; 2psi LP; 1/2" x 1/2", 4"-12" WC)
770-300	\$240.00	300k BTU pressure regulator (5psi NG; 2psi LP; 1" x 1", 4" - 12" WC)
658	\$63.00	100k BTU LP pressure regulator (3/8" x 3/8", 4"-12" WC)
770-13A15-5	\$38.00	MAXITROL vent protector with 3/8" inlet made for 770-300



Grill Repair Regulators & Hoses

SKU	MSRP	Description
658/90-18	\$43.00	18" Rubber Hose; 90 degree regulator ; 100k BTU; 3/8" fitting
658/90-36	\$68.00	36" rubber hose; 90 degree regulator; 100k BTU; 3/8" fitting
658SS/90-36	\$84.00	36" braided SS hose; 90 degree regulator; 100k BTU; 3/8" fitting



Quick Disconnects and Outlets

SKU	MSRP	Description
580	\$124.00	144" x 3/8" quick disconnect assembly
580-V	\$73.00	Female quick disconnect fitting
581	\$216.00	Appliance Outlet



Flex Lines

SKU	MSRP	Length	BTU/HR - NG	BTU/HR - LP	Flare Size	Fittings	Description
SSC6	\$24.00	6"	110k	177k	1/2"	3/8" MIP; 1/2" FIP	Standard Capacity
SSC12	\$24.00	12"	102k	163.2k	1/2"	3/8" MIP; 1/2" FIP	Standard Capacity
SSC18	\$25.00	18"	93k	148.96k	1/2"	3/8" MIP; 1/2" FIP	Standard Capacity
SSC24	\$30.00	24"	85k	136k	1/2"	3/8" MIP; 1/2" FIP	Standard Capacity
SSC30	\$33.00	30"	77k	123.36k	1/2"	3/8" MIP; 1/2" FIP	Standard Capacity
SSC36	\$37.00	36"	71k	113.76k	1/2"	3/8" MIP; 1/2" FIP	Standard Capacity
SSC48	\$41.00	48"	60.5k	96.8k	1/2"	3/8" MIP; 1/2" FIP	Standard Capacity
SSC-HC12	\$28.00	12" (HC)	180k	288k	3/4"	1/2" MIP; 1/2" FIP	High Capacity
SSC-HC18	\$33.00	18" (HC)	164k	262.7k	3/4"	1/2" MIP; 1/2" FIP	High Capacity
SSC-HC24	\$39.00	24" (HC)	150k	240k	3/4"	1/2" MIP; 1/2" FIP	High Capacity
SSC-HC30	\$44.00	30" (HC)	136k	217.6k	3/4"	1/2" MIP; 1/2" FIP	High Capacity
SSC-HHC24	\$85.00	24" (HC)	291k	465.4k	1"	3/4" MIP; 3/4" FIP	Ultra High Capacity
SSC-HHC36	\$129.00	36" (HC)	256k	409.4k	1"	3/4" MIP; 3/4" FIP	Ultra High Capacity
SSC-W12	\$26.00	12"	102k	163.2k	1/2"	3/8" MIP; 1/2" FIP	Tranquil Whistle-Free
SSC-W18	\$35.00	18"	93k	148.96k	1/2"	3/8" MIP; 1/2" FIP	Tranquil Whistle-Free
SSC-W24	\$40.00	24"	85k	136k	1/2"	3/8" MIP; 1/2" FIP	Tranquil Whistle-Free
SSC-W30	\$50.00	30"	77k	123.36k	1/2"	3/8" MIP; 1/2" FIP	Tranquil Whistle-Free
SSCB-W18	\$46.00	18"	93k	148.96k	1/2"	3/8" MIP; 1/2" FIP	Black. Tranquil Whistle-Free, Standard Capacity
SSCB-W24	\$50.00	24"	85k	136k	1/2"	3/8" MIP; 1/2" FIP	Black. Tranquil Whistle-Free, Standard Capacity
SSCB-W30	\$65.00	30"	77k	123.36k	1/2"	3/8" MIP; 1/2" FIP	Black. Tranquil Whistle-Free, Standard Capacity

Fire Pit Pans - Round Bowl - Requires FRSB-11

SKU	MSRP	Size	Inlet	# of FRSB-11
570-13	\$391.00	13"	1/2"	3
570-19	\$502.00	19"	1/2"	3
570-25	\$692.00	25"	1/2"	3
570-31	\$789.00	31"	1/2"	3
570-31HC	\$906.00	31" (HC)	3/4"	3
570-37HC	\$965.00	37" (HC)	3/4"	3
570-43HC	\$1,262.00	43" (HC)	3/4"	3

Fire Pit Pans - Round Flat - Requires FRSB-11

SKU	MSRP	Size	Inlet	# of FRSB-11
571-8	\$190.00	7.75"	1/2"	3
571-14	\$329.00	13.75"	1/2"	3
571-18	\$208.00	17.75"	1/2"	3
571-24	\$381.00	23.75"	1/2"	3
571-30	\$547.00	29.75"	1/2"	3
571-36	\$744.00	35.75"	1/2"	3
571-36HC	\$830.00	35.75" (HC)	3/4"	3
571-42HC	\$906.00	41.75" (HC)	3/4"	3
571-54HC	\$1,556.00	53.75" (HC)	3/4"	3

Fire Pit Pans - Square Bowl - Requires FRSB-11

SKU	MSRP	Size	Inlet	# of FRSB-11
570-18SQ	\$329.00	18"	1/2"	3
570-24SQ	\$446.00	24"	1/2"	3
570-30SQ	\$532.00	30"	1/2"	3
570-36HCSQ	\$778.00	36"	3/4"	3
570-42HCSQ	\$861.00	42"	3/4"	3

Fire Pit Pans - Square Flat - Requires FRSB-11

SKU	MSRP	Size	Inlet	# of FRSB-11
571-18SQ	\$259.00	18"	1/2"	3
571-24SQ	\$339.00	24"	1/2"	3
571-30SQ	\$484.00	30"	1/2"	3
571-36HCSQ	\$588.00	36"	3/4"	3
571-42HCSQ	\$830.00	42"	3/4"	3

Burners - Penta

SKU	MSRP	Size	BTU	Inlet
PENTA12 KIT	\$149.00	12"	65k	1/2"
PENTA18 KIT	\$192.00	18"	125k	1/2"
PENTA24 KIT	\$236.00	24"	200k	1/2"
PENTA30 KIT	\$291.00	30"	250k	3/4"
PENTA36 KIT	\$366.00	36"	300k	3/4"
PENTA48 KIT	\$410.00	48"	300k	3/4"

SKU	Bulk Quantity (5% off)
PENTA12	10
PENTA18	10
PENTA24	10
PENTA30	5
PENTA36	5
PENTA48	5



Burners - Torpedo Penta

SKU	MSRP	Size	BTU	Inlet
TOR-PENTA12 KIT	\$179.00	12"	100k	1/2"
TOR-PENTA18 KIT	\$230.00	18"	175k	1/2"
TOR-PENTA24 KIT	\$283.00	24"	250k	1/2"
TOR-PENTA30 KIT	\$349.00	30"	300k	3/4"
TOR-PENTA36 KIT	\$440.00	36"	350k	3/4"
TOR-PENTA48 KIT	\$492.00	48"	350k	3/4"

SKU	Bulk Quantity (5% off)
TOR-PENTA12	10
TOR-PENTA18	10
TOR-PENTA24	10
TOR-PENTA30	5
TOR-PENTA36	5
TOR-PENTA48	5



Burners - Round

SKU	MSRP	Size	BTU	Inlet
FRS-6 KIT	\$91.00	6"	60k	1/2"
FRS-12 KIT	\$105.00	12"	90k	1/2"
FRS-18 KIT	\$157.00	18"	150k	1/2"
FRS-24 KIT	\$210.00	24"	150k	1/2"
FRS-24HC KIT	\$259.00	24" (HC)	300k	3/4"
FRS-30 KIT	\$291.00	30"	300k	1/2"
FRS-30HC KIT	\$311.00	30" (HC)	300k	3/4"
FRS-36HC KIT	\$349.00	36"	300k	3/4"
FRS-48HC KIT	\$686.00	48"	300k	3/4"

SKU	Bulk Quantity (5% off)
FRS6	10
FRS12	10
FRS18	10
FRS24	10
FRS24HC	10
FRS30	5
FRS30HC	5
FRS36HC	5
FRS48HC	5



Burners - Square

SKU	MSRP	Size	BTU	Inlet
FRSSQ-12 KIT	\$154.00	12"	90k	1/2"
FRSSQ-18 KIT	\$207.00	18"	150k	1/2"
FRSSQ-24 KIT	\$320.00	24"	150k	1/2"
FRSSQ-36HC KIT	\$442.00	36"	300k	3/4"
FRSSQ-48HC KIT	\$584.00	48"	300k	3/4"

SKU	Bulk Quantity (5% off)
FRSSQ12	10
FRSSQ18	10
FRSSQ24	10
FRSSQ36HC	5
FRSSQ48HC	5



Burners - Rectangle

SKU	MSRP	Size	BTU	Inlet
FRSR-12X6 KIT	\$117.00	12"x 6"	90k	1/2"
FRSR-18X9 KIT	\$169.00	18"x 9"	150k	1/2"
FRSR-24X12 KIT	\$276.00	24"x 12"	150k	1/2"
FRSR-36X18 KIT	\$335.00	36"x 18"	200k	1/2"
FRSR-48X24HC KIT	\$410.00	48"x 24"	300k	3/4"

SKU	Bulk Quantity (5% off)
FRSR12X6	10
FRSR18X9	10
FRSR24X12	10
FRSR36X18	5
FRSR48X24HC	5



Fire Pit Burners - For LP parts, add "LP" after burner size in SKU. Example: PENTA12LP KIT

Burners - Linear

SKU	MSRP	Size	BTU	Inlet
TOR-LTBSS24 KIT	\$154.00	24"	100k	1/2"
TOR-LTBSS36 KIT	\$186.00	36"	125k	1/2"
TOR-LTBSS48 KIT	\$205.00	48"	150k	1/2"
TOR-LTBSS60 KIT	\$257.00	60"	175k	1/2"
TOR-LTBSS72 KIT	\$346.00	72"	200k	1/2"
TOR-LTBSS96 KIT	\$445.00	96"	250k	1/2"
TOR-LTBSS120 KIT	\$557.00	120"	300k	1/2"

SKU	Bulk Quantity (5% off)
TOR-LTBSS24	10
TOR-LTBSS36	10
TOR-LTBSS48	10
TOR-LTBSS60	10
TOR-LTBSS72	10
TOR-LTBSS96	5
TOR-LTBSS120	5



Burners - H-Burner

SKU	MSRP	Size	BTU	Inlet
TOR-HBSB18 KIT	\$185.00	18"x 6"	125k	1/2"
TOR-HBSB24 KIT	\$208.00	24"x 6"	150k	1/2"
TOR-HBSB30 KIT	\$223.00	30"x 8"	175k	1/2"
TOR-HBSB36 KIT	\$251.00	36"x 8"	200k	1/2"
TOR-HBSB48 KIT	\$277.00	48"x 10"	250k	1/2"
TOR-HBSB60 KIT	\$346.00	60"x 10"	300k	1/2"
TOR-HBSB72 KIT	\$467.00	72"x 10"	300k	1/2"
TOR-HBSB84 KIT	\$606.00	84"x 10"	300k	1/2"

SKU	Bulk Quantity (5% off)
TOR-HBSB18	10
TOR-HBSB24	10
TOR-HBSB30	10
TOR-HBSB36	10
TOR-HBSB48	10
TOR-HBSB60	10
TOR-HBSB72	10
TOR-HBSB84	10



Pans and Burner - Interlink

SKU	MSRP	Size	BTU	Inlet
TOR-IL25X8SS	\$432.00	25"X 8"	100k	1/2"
TOR-IL37X8SS	\$568.00	37"X 8"	125k	1/2"
TOR-IL49X8SS	\$677.00	49"X 8"	150k	1/2"
TOR-IL61X8SS	\$1,091.00	61"X 8"	175k	1/2"
TOR-IL73X8SS	\$1,157.00	73"X 8"	200k	1/2"
TOR-IL97X8SS	\$1,548.00	97"X 8"	250k	1/2"
TOR-IL121X8SS	\$2,284.00	121"X 8"	300k	1/2"



Pans and Burners - Trough

SKU	MSRP	Size	BTU	Inlet
TOR-24SS TRGH	\$359.00	24"	100k	1/2"
TOR-36SS TRGH	\$506.00	36"	125k	1/2"
TOR-48SS TRGH	\$617.00	48"	150k	1/2"
TOR-60SS TRGH	\$1,300.00	60"	175k	1/2"
TOR-72SS TRGH	\$1,702.00	72"	200k	1/2"
TOR-96SS TRGH	\$2,311.00	96"	250k	1/2"



Pans and Burners - H-Burner

SKU	MSRP	Size	BTU	Inlet
TOR-24X12SS-H	\$520.00	24" x 12"	125k	1/2"
TOR-30X12SS-H	\$588.00	30" x 12"	150k	1/2"
TOR-36X14SS-H	\$656.00	36" x 14"	175k	1/2"
TOR-42X14SS-H	\$732.00	42" x 14"	200k	1/2"
TOR-54X16SS-H	\$973.00	54" x 16"	250k	1/2"
TOR-66X16SS-H	\$1,409.00	66" x 16"	300k	1/2"
TOR-78X16SS-H	\$1,617.00	78" x 16"	300k	1/2"
TOR-90X16SS-H	\$1,859.00	90" x 16"	300k	1/2"



Fire Pit Pans - For LP parts, add "LP" after burner size in SKU. Example: PENTA12LP KIT

Flame Control Systems - Decorative Key Valves

SKU	MSRP	Finish	Valve	Inlet / Outlet
MACB	\$43.00	Chrome	Angle	1/2"
MACB-HC	\$100.00	Chrome	Angle	3/4"
MSCB	\$44.00	Chrome	Straight	1/2"
MSCB-HC	\$90.00	Chrome	Straight	3/4"
MABB	\$43.00	Brass	Angle	1/2"
MABB-HC	\$120.00	Brass	Angle	3/4"
MSBB	\$42.00	Brass	Straight	1/2"
MSBB-HC	\$90.00	Brass	Straight	3/4"
MAFB	\$78.00	Flat Black	Angle	1/4"
MAFB-HC	\$120.00	Flat Black	Angle	3/4"
MSFB	\$77.00	Flat Black	Straight	1/2"
MSFB-HC	\$112.00	Flat Black	Straight	3/4"
MAPW	\$78.00	Pewter	Angle	1/2"
MAPW-HC	\$120.00	Pewter	Angle	3/4"
MSPW	\$77.00	Pewter	Straight	1/2"
MSPW-HC	\$112.00	Pewter	Straight	3/4"
MAAB	\$78.00	Antique Brass	Angle	1/2"
MAAB-HC	\$120.00	Antique Brass	Angle	3/4"
MSAB	\$77.00	Antique Brass	Straight	1/2"
MSAB-HC	\$112.00	Antique Brass	Straight	3/4"
MAAC	\$78.00	Antique	Angle	1/2"
MAAC-HC	\$120.00	Antique	Angle	3/4"
MSAC	\$77.00	Antique	Straight	1/2"
MSAC-HC	\$112.00	Antique	Straight	3/4"



Flame Control Systems - Flange & Key

SKU	MSRP	Finish
UDFK-PC	\$49.00	Chrome
UDFK-PB	\$49.00	Brass
UDFK-FB	\$49.00	Flat Black
UDFK-PW	\$49.00	Pewter
UDFK-AB	\$49.00	Antique Brass
UDFK-AC	\$49.00	Antique

Flame Control Systems - Key Only

SKU	MSRP	Finish	Keys
305-U	\$11.00	Chrome	3"
317-8C	\$25.00	Chrome	8"
317-12C	\$27.00	Chrome	12"
317-18C	\$41.00	Chrome	18"
317-24C	\$58.00	Chrome	24"
307-U	\$11.00	Brass	3"
317-8B	\$25.00	Brass	8"
317-12B	\$27.00	Brass	12"
317-18B	\$41.00	Brass	18"
317-24B	\$58.00	Brass	24"
317-3UFB	\$14.00	Flat Black	3"
317-8FB	\$35.00	Flat Black	8"
317-3UPW	\$14.00	Pewter	3"
317-8PW	\$35.00	Pewter	8"
317-3UAB	\$14.00	Antique Brass	3"
317-8AB	\$35.00	Antique Brass	8"
317-3UAC	\$14.00	Antique	3"
317-8AC	\$35.00	Antique	8"

Flame Control Systems - Flange Only

SKU	MSRP	Finish
304L	\$19.00	Chrome
306L	\$23.00	Brass

Flame Control Systems - Electronic Ignition Control Systems

Electronic Ignition Flame Control Systems (FCS) are now available to order! These FCS parts are available for a variety of BTU ratings, gas types, burner styles, and sizes. **Contact us to get the part number you need!**



Flame Control Systems - FPPK Control Systems

This system utilizes a standing pilot (36" assembly) with thermocouple. It has flame sensing technology to safely manage the flame and gas flow. It also offers manual flame height adjustment, manual switch spark igniter (battery operated), and a safety pilot valve mounted in a stainless steel box. Includes blowout box, flex line, hard pipe, and fittings. **Contact us to get the part number you need!**



Size: 7.5"x6.5"x2.6"

Commercial Automatic Shutoff Timers - 120VAC

SKU	MSRP	Max Time	Description
694	\$547.00	2 hours	Stainless steel rotary timer (SPDT, 20A). 1/2" deep, double gang box recommended.
695	\$595.00	12 hours	Stainless steel rotary timer (SPDT, 20A). 1/2" deep, double gang box recommended.
694 NEMA	\$729.00	2 hours	NEMA 3R box kit including 694 timer + box.
695 NEMA	\$793.00	12 hours	NEMA 3R box kit including 695 timer + box.



Vents

SKU	MSRP	Size	Style
EV-12X6SS	\$65.00	12" x 6"	Flat
EV-14X4.5SS	\$65.00	14" x 4.5"	Louvered
EV-8X4SS	\$59.00	9" x 4"	Flat



Log Lighter Burner

SKU	MSRP	Size	Gas Type
SS17N	\$142.00	17"	NG
SS17P	\$142.00	17"	LP



Small LP Tank Conversion Kit

SKU	MSRP	BTU	Description
FPLP40	\$287.00	40k	Includes regulator, air mixer, 12' hose with quick disconnect, shut off valve, and fittings. Min. burner size: 12" (48" t-burner)
FPLP90	\$287.00	90k	Includes regulator, air mixer, 12' hose with quick disconnect, shut off valve, and fittings. Min. burner size: 12" (48" t-burner)

Electronic Ignition Series Components

SKU	MSRP	Model	Description
312-SNI-24V	\$139.00	HI/LO & On/Off	Silicon nitride igniter - 36"
311-T/C	\$41.00	HI/LO & On/Off	Thermocouple - 36"
312-EIMOD	\$843.00	HI/LO & On/Off	Electronic Module
576-75VA	\$111.00	HI/LO & On/Off	Transformer
HSIP-36SS	\$354.00	HI/LO & On/Off	Replacement pilot assembly: 50k-275k BTU. Natural gas application. 36"
HSIP-36SS-300NG	\$354.00	HI/LO & On/Off	Replacement pilot assembly: 300k BTU. Natural gas application. 36"
HSIP-36SS-400NG	\$354.00	HI/LO & On/Off	Replacement pilot assembly: 400k BTU. Natural gas application. 36"
HSIP-36SS-50/225LP	\$354.00	HI/LO & On/Off	Replacement pilot assembly: 50k-275k BTU. Liquid propane application. 36"
HSIP-36SS-250/400LP	\$354.00	HI/LO & On/Off	Replacement pilot assembly: 250k-400k BTU. Liquid propane application. 36"
311-ESTOP-3	\$528.00	HI/LO & On/Off	Push-button emergency shutoff. Keyed reset turns off up to 3 circuits plus one failsafe function. 600VA, 10A, rated IP65.
E-STOP-KEY	\$65.00	HI/LO & On/Off	Replacement key for 311-ESTOP-3
311-PS1	\$620.00	HI/LO & On/Off	Power supply: 24VAC, 1 output. Input primary: 120VAC, 60/50Hz, 1A max. Output secondary: 24VAC & 12VAC, 60/50Hz, 4A.
311-PS3	\$850.00	HI/LO & On/Off	Power supply: 24VAC, 3 outputs. Input primary: 120VAC, 60/50Hz, 1A max. Output secondary: 24VAC & 12VAC, 60/50Hz, 4A.
311-PS5	\$1,009.00	HI/LO & On/Off	Power supply: 24VAC, 5 outputs. Input primary: 120VAC, 60/50Hz, 1A max. Output secondary: 24VAC & 12VAC, 60/50Hz, 4A.
313-PS1	\$618.00	HI/LO & On/Off	Power supply: 12VAC, 1 output. Input primary: 120VAC, 60/50Hz, 1A max. Output secondary: 24VAC & 12VAC, 60/50Hz, 4A.
313-PS3	\$932.00	HI/LO & On/Off	Power supply: 12VAC, 3 outputs. Input primary: 120VAC, 60/50Hz, 1A max. Output secondary: 24VAC & 12VAC, 60/50Hz, 4A.
210-EI415	\$290.00	HI/LO & On/Off	Honeywell 415k valve.
312-REMOTE	\$300.00	HI/LO	Handheld remote.
312-W/T	\$419.00	HI/LO	Remote transceiver.
312-ANTENNA	\$68.00	HI/LO	Antenna.
312-AB	\$36.00	HI/LO	Antenna bracket.
AEK-60HI/LOW	\$119.00	HI/LO	Antenna extension cable - 60"
754-GV HI/LO	\$869.00	HI/LO	Replacement HI/LO gas valve.
754-GV ON/OFF	\$618.00	On/Off	Replacement on/off gas valve.
578-C	\$101.00	On/Off	Remote control.

FPK Series Components

SKU	MSRP	Description
FPK	\$114.00	Spark generator, ignition, mounting plate, battery.
690-AA	\$54.00	AA spark igniter. Mounts with two screws, includes batteries. Dual ignition outlets. Replaces #690
691AA-HPC	\$52.00	AA spark igniter. Screw-in cap holds unit in place.
131	\$26.00	Electrode to use with spark igniter, part #130.

Push Button Ignition Series Components

SKU	MSRP	Description
109-HC	\$156.00	FPPK replacement valve.
691AA-HPC	\$52.00	Igniter switch.
FPPK-P36NG	\$144.00	36" pilot tube, T/C. Natural gas application.
FPPK-P36LP	\$144.00	36" pilot tube, T/C. Natural gas application.
111	\$8.00	Black knob.
902	\$2.00	Valve face plate nut (for 108-C valve)
693	\$63.00	Igniter wire.

Accessory Chart

	Vinyl Covers	Outdoor Logs	Wind Guards	Install Collars	Lava Rock / Stone	Glass (lbs)	River Rock (boxes)
Size	pg. 84	pg. 82	pg. 86	pg. 88	pg. 82	pg. 82	pg. 82

ROUND BOWL INSERTS (pg. 36)

13"	FPC-35	FPL18xx	WG23-RD	1 Box	1 Bag	20	1
19"	FPC-45	FPL18xx	WG30-RD	1 Box	2 Bags	40	1
25"	FPC-45	FPL18xx	WG30-RD	1 Box	2 Bags	60	2
31"	FPC-53	FPL18xx	WG38-RD	1 Box	2 Bags	90	3
37"	FPC-53	FPL30xx	WG48-RD	2 Boxes	4 Bags	120	4
43"	FPC-64	FPL30xx	WG48-RD	2 Boxes	4 Bags	160	5

ROUND FLAT INSERTS (pg. 40)

14"	FPC-35	FPL18xx	WG23-RD	1 Box	1 Bag	30	1
18"	FPC-45	FPL18xx	WG23-RD	1 Box	2 Bags	30	1
24"	FPC-45	FPL18xx	WG30-RD	1 Box	2 Bags	50	2
30"	FPC-53	FPL18xx	WG38-RD	2 Boxes	2 Bags	80	3
36"	FPC-53	FPL30xx	WG38-RD	2 Boxes	4 Bags	110	4
42"	FPC-64	FPL30xx	WG48-RD	2 Boxes	4 Bags	150	5
54"	FPC-76	FPL30xx	N/A	3 Boxes	6 Bags	250	8

SQUARE BOWL INSERTS (pg. 44)

18"	FPC-48SQ	FPL18xx	WG25-SQ	1 Box	2 Bags	40	1
24"	FPC-48SQ	FPL18xx	WG31-SQ	2 Boxes	2 Bags	70	2
30"	FPC-60SQ	FPL18xx	WG37-SQ	2 Boxes	2 Bags	110	3
36"	FPC-60SQ	FPL30xx	WG43-SQ	2 Boxes	6 Bags	150	4
42"	FPC-60SQ	FPL30xx	WG49-SQ	2 Boxes	6 Bags	190	4
42"	FPC-64	FPL30xx	WG48-RD	2 Boxes	4 Bags	150	5

SQUARE FLAT INSERTS (pg. 48)

18"	FPC-48SQ	FPL18xx	WG25-SQ	1 Box	2 Bags	40	1
24"	FPC-48SQ	FPL18xx	WG31-SQ	2 Boxes	2 Bags	70	2
30"	FPC-60SQ	FPL18xx	WG37-SQ	2 Boxes	2 Bags	100	3
36"	FPC-60SQ	FPL30xx	WG43-SQ	2 Boxes	6 Bags	140	4
42"	FPC-60SQ	FPL30xx	WG49-SQ	2 Boxes	6 Bags	190	4
43"	FPC-64	FPL30xx	WG48-RD	2 Boxes	4 Bags	160	5

RECTANGLE BOWL INSERTS (pg. 52)

24X12"	FPC-62X30	FPL18xx	WG31X19-RECT	1 Box	2 Bags	40	1
30X12"	FPC-62X30	FPL18xx	WG37X19-RECT	1 Box	2 Bags	40	2
36X14"	FPC-78X40	FPL30xx	WG43X21-RECT	2 Boxes	2 Bags	60	2
42X14"	FPC-78X40	FPL30xx	WG49X21-RECT	2 Boxes	2 Bags	70	3
54X16"	FPC-78X40	FPL30xx	WG61X23-RECT	2 Boxes	4 Bags	100	3
66X16"	FPC-90X40	FPL30xx	N/A	2 Boxes	6 Bags	120	4
78X16"	FPC-102X40	FPL30xx (2)	N/A	3 Boxes	6 Bags	140	4
90X16"	FPC-114X40	FPL30xx (2)	N/A	3 Boxes	8 Bags	160	5

Accessory Chart (continued)

	Vinyl Covers	Outdoor Logs	Wind Guards	Install Collars	Lava Rock / Stone	Glass (lbs)	River Rock (boxes)
Size	pg. 84	pg. 82	pg. 86	pg. 88	pg. 82	pg. 82	pg. 82

LINEAR TROUGH INSERTS (pg. 60)

24"	FPC-44X30	FPL18xx	WG31X15-L	1 Box	1 Bag	20	1
36"	FPC-62X30	FPL18xx	WG43X15-L	2 Boxes	2 Bags	30	1
48"	FPC-62X30	FPL30xx	WG55X15-L	2 Boxes	2 Bags	40	1
60"	FPC-94X30	FPL30xx	WG67X15-L	2 Boxes	2 Bags	40	1
72"	FPC-94X30	FPL30xx (2)	N/A	2 Boxes	2 Bags	50	2
96"	FPC-130X30	FPL30xx (3)	N/A	2 Boxes	2 Bags	60	2

LINEAR INTERLINK INSERTS (pg. 68)

25X8"	FPC-44X30	FPL18xx	WG31X15-L	1 Box	1 Bag	20	1
37X8"	FPC-62X30	FPL18xx	WG43X15-L	2 Boxes	2 Bags	30	1
49X8"	FPC-62X30	FPL30xx	WG55X15-L	2 Boxes	2 Bags	40	1
61X8"	FPC-94X30	FPL30xx	WG67X15-L	2 Boxes	2 Bags	40	2
73X8"	FPC-94X30	FPL30xx (2)	N/A	2 Boxes	4 Bags	50	2
97X8"	FPC-130X30	FPL30xx (3)	N/A	2 Boxes	4 Bags	60	2
121X8"	FPC-130X30	FPL30xx (3)	N/A	3 Boxes	6 Bags	80	3



Outdoor Fireplace Burner, Grate, and Log Kits

Log Style	Ignition	Size	Gas	Burner	Grate	Logs	Burner, Grate, and Log Kit	Kit MSRP
Oak	Push-Button	36"	NG	DBOF27PBFS-NG	SSFG/BPC22	FPL18/24AW09	DBOF27PBFS-NG-AW09	\$1,658.00
Oak	Push-Button	36"	LP	DBOF27PBFS-LP	SSFG/BPC22	FPL18/24AW09	DBOF27PBFS-LP-AW09	\$1,658.00
Oak	Electronic	36"	NG	DBOF22EI-NG/120VAC	SSFG/BPC22	FPL18/24AW09	DBOF22EI-NG/120VAC-AW09	\$3,107.00
Oak	Electronic	36"	LP	DBOF22EI-LP/120VAC	SSFG/BPC22	FPL18/24AW09	DBOF22EI-LP/120VAC-AW09	\$3,107.00
Oak	Electronic-Hi/Lo	36"	NG	DBOF22EI-HI/LO-NG/120VAC	SSFG/BPC22	FPL18/24AW09	DBOF22EI-HI/LO-NG/120VAC-AW09	\$3,704.00
Oak	Electronic-Hi/Lo	36"	LP	DBOF22EI-HI/LO-LP/120VAC	SSFG/BPC22	FPL18/24AW09	DBOF22EI-HI/LO-LP/120VAC-AW09	\$3,704.00
Driftwood	Push-Button	36"	NG	DBOF27PBFS-NG	SSFG/BPC22	FPL18/24WD9	DBOF27PBFS-NG-WD9	\$1,658.00
Driftwood	Push-Button	36"	LP	DBOF27PBFS-LP	SSFG/BPC22	FPL18/24WD9	DBOF27PBFS-LP-WD9	\$1,658.00
Driftwood	Electronic	36"	NG	DBOF22EI-NG/120VAC	SSFG/BPC22	FPL18/24WD9	DBOF22EI-NG/120VAC-WD9	\$3,107.00
Driftwood	Electronic	36"	LP	DBOF22EI-LP/120VAC	SSFG/BPC22	FPL18/24WD9	DBOF22EI-LP/120VAC-WD9	\$3,107.00
Driftwood	Electronic-Hi/Lo	36"	NG	DBOF22EI-HI/LO-NG/120VAC	SSFG/BPC22	FPL18/24WD9	DBOF22EI-HI/LO-NG/120VAC-WD9	\$3,704.00
Driftwood	Electronic-Hi/Lo	36"	LP	DBOF22EI-HI/LO-LP/120VAC	SSFG/BPC22	FPL18/24WD9	DBOF22EI-HI/LO-LP/120VAC-WD9	\$3,704.00
Birch	Push-Button	36"	NG	DBOF27PBFS-NG	SSFG/BPC22	FPL18/24AB9	DBOF27PBFS-NG-AB9	\$1,658.00
Birch	Push-Button	36"	LP	DBOF27PBFS-LP	SSFG/BPC22	FPL18/24AB9	DBOF27PBFS-LP-AB9	\$1,658.00
Birch	Electronic	36"	NG	DBOF22EI-NG/120VAC	SSFG/BPC22	FPL18/24AB9	DBOF22EI-NG/120VAC-AB9	\$3,107.00
Birch	Electronic	36"	LP	DBOF22EI-LP/120VAC	SSFG/BPC22	FPL18/24AB9	DBOF22EI-LP/120VAC-AB9	\$3,107.00
Birch	Electronic-Hi/Lo	36"	NG	DBOF22EI-HI/LO-NG/120VAC	SSFG/BPC22	FPL18/24AB9	DBOF22EI-HI/LO-NG/120VAC-AB9	\$3,704.00
Birch	Electronic-Hi/Lo	36"	LP	DBOF22EI-HI/LO-LP/120VAC	SSFG/BPC22	FPL18/24AB9	DBOF22EI-HI/LO-LP/120VAC-AB9	\$3,704.00
Oak	Push-Button	42"	NG	DBOF33PBFS-NG	SSFG/BPC28	FPL30/36AW016	DBOF33PBFS-NG-AW016	\$2,256.00
Oak	Push-Button	42"	LP	DBOF33PBFS-LP	SSFG/BPC28	FPL30/36AW016	DBOF33PBFS-LP-AW016	\$2,256.00
Oak	Electronic	42"	NG	DBOF28EI-NG/120VAC	SSFG/BPC28	FPL30/36AW016	DBOF28EI-NG/120VAC-AW016	\$3,704.00
Oak	Electronic	42"	LP	DBOF28EI-LP/120VAC	SSFG/BPC28	FPL30/36AW016	DBOF28EI-LP/120VAC-AW016	\$3,704.00
Oak	Electronic-Hi/Lo	42"	NG	DBOF28EI-HI/LO-NG/120VAC	SSFG/BPC28	FPL30/36AW016	DBOF28EI-HI/LO-NG/120VAC-AW016	\$4,287.00
Oak	Electronic-Hi/Lo	42"	LP	DBOF28EI-HI/LO-LP/120VAC	SSFG/BPC28	FPL30/36AW016	DBOF28EI-HI/LO-LP/120VAC-AW016	\$4,287.00
Driftwood	Push-Button	42"	NG	DBOF33PBFS-NG	SSFG/BPC28	FPL30/36WD16	DBOF33PBFS-NG-WD16	\$2,256.00
Driftwood	Push-Button	42"	LP	DBOF33PBFS-LP	SSFG/BPC28	FPL30/36WD16	DBOF33PBFS-LP-WD16	\$2,256.00
Driftwood	Electronic	42"	NG	DBOF28EI-NG/120VAC	SSFG/BPC28	FPL30/36WD16	DBOF28EI-NG/120VAC-WD16	\$3,704.00
Driftwood	Electronic	42"	LP	DBOF28EI-LP/120VAC	SSFG/BPC28	FPL30/36WD16	DBOF28EI-LP/120VAC-WD16	\$3,704.00
Driftwood	Electronic-Hi/Lo	42"	NG	DBOF28EI-HI/LO-NG/120VAC	SSFG/BPC28	FPL30/36WD16	DBOF28EI-HI/LO-NG/120VAC-WD16	\$4,287.00
Driftwood	Electronic-Hi/Lo	42"	LP	DBOF28EI-HI/LO-LP/120VAC	SSFG/BPC28	FPL30/36WD16	DBOF28EI-HI/LO-LP/120VAC-WD16	\$4,287.00
Birch	PB	42"	NG	DBOF33PBFS-NG	SSFG/BPC28	FPL30/36AB16	DBOF33PBFS-NG-AB16	\$2,256.00
Birch	PB	42"	LP	DBOF33PBFS-LP	SSFG/BPC28	FPL30/36AB16	DBOF33PBFS-LP-AB16	\$2,256.00
Birch	Electronic	42"	NG	DBOF28EI-NG/120VAC	SSFG/BPC28	FPL30/36AB16	DBOF28EI-NG/120VAC-AB16	\$3,704.00
Birch	Electronic	42"	LP	DBOF28EI-LP/120VAC	SSFG/BPC28	FPL30/36AB16	DBOF28EI-LP/120VAC-AB16	\$3,704.00
Birch	Electronic-Hi/Lo	42"	NG	DBOF28EI-HI/LO-NG/120VAC	SSFG/BPC28	FPL30/36AB16	DBOF28EI-HI/LO-NG/120VAC-AB16	\$4,287.00
Birch	Electronic-Hi/Lo	42"	LP	DBOF28EI-HI/LO-LP/120VAC	SSFG/BPC28	FPL30/36AB16	DBOF28EI-HI/LO-LP/120VAC-AB16	\$4,287.00



FORNO DE PIZZA

OUTDOOR LIVING AND DINING

HPC's handcrafted pizza oven. This glass mosaic-tiled refractory oven combines beauty and durability to create a product that will stand the test of time, and its design allows for flavor layering. From cooking to smoking to baking, the Forno de Pizza does it all.

Installation Considerations

- Determine application: for general use where mobility is prioritized, placed into a outdoor kitchen countertop, or as a freestanding, built-in structure
- Ensure access to natural gas line unless using liquid propane. If using LP, consider where you will place your tank



BENEFITS

- Beautiful, handcrafted oven made with glass mosaic tiles
- Great diversity of meals can be prepared, as with any oven
- Cart with wheels for easy transportation (on Forno series)

FEATURES

- Dual-fuel system allows for use of gas and wood simultaneously
- Many tile options, including custom colors
- Electronic ignition system

SPECIFICATIONS

- Oven made of refractory concrete, able to safely withstand 2400 degrees fahrenheit
- 304 Stainless steel hearth
- Cart is handcrafted with powder coated steel and cedar wood

Forno Series - Forno de Pizza

Tile Color	SKU	MSRP
Ocean Blue	FDP-FORNO/OB-EI-NG	\$6,824.00
Pool Blue	FDP-FORNO/PB-EI-NG	\$6,824.00
Black Onyx	FDP-FORNO/BLX-EI-NG	\$6,824.00
Retro	FDP-FORNO/RETRO-EI-NG	\$6,824.00
Copper	FDP-FORNO/COPPER-EI-NG	\$6,824.00
Custom Color	FDP-FORNO/CUSTOM-EI-NG	\$7,874.00

AN OVEN FOR THE FOOD ENTHUSIAST

The Forno de Pizza hybrid oven was founded on the belief that some of our best experiences in life are spent with our friends and family. Cooking together with fire brings a powerful connection to the foods you're sharing. The Forno de Pizza honors timeless styling cues from ancient Greece while marrying it with modern conveniences. Designed to cook more than just pizza, the Forno is an oven for the food enthusiast.

The Forno Series is a portable, dual-fuel oven that can be easily transported thanks to its durable, powder coated, steel cart. Its classic igloo design offers even cooking. Operating on an electronic ignition system, this oven can efficiently burn natural gas, propane, or wood (and you can burn gas and wood at the same time for maximum heat). Six different glass colors are available to complement your outdoor living space.

BEHIND THE BRAND

The Forno design is not new-- in fact, it's ancient. The igloo-shaped oven has been used for thousands of years, embracing the three key heating methods: conduction, convection, and radiant heat. The flame heats the hearth stone, the heat is circulated in its igloo shape, and the walls itself heat up to radiate more cooking power.



Ocean Blue



Pool Blue



Custom



Black Onyx



Retro



Copper

NEED INSPIRATION?

Find recipes, guides, and more online at hpcfire.com/forno/videos





Need LP Models?

Change "NG" to "LP" in SKU for liquid propane applications

Villa Series - Forno de Pizza

Tile Color	SKU	MSRP
Ocean Blue	FDP-VILLA/OB-EI-NG	\$6,089.00
Pool Blue	FDP-VILLA/PB-EI-NG	\$6,089.00
Black Onyx	FDP-VILLA/BLX-EI-NG	\$6,089.00
Retro	FDP-VILLA/RETRO-EI-NG	\$6,089.00
Copper	FDP-VILLA/COPPER-EI-NG	\$6,089.00
Custom Color	FDP-VILLA/CUSTOM-EI-NG	\$7,139.00



Ocean Blue



Pool Blue



Custom



Black Onyx



Retro



Copper

A BUILT-IN OVEN

The Villa series (pictured on opposing page) is a hearth and oven designed to be incorporated into your outdoor kitchen countertop. This model gives you the freedom to create your space the way you want. Pair the Villa with wood storage, a fridge for ingredients, and a countertop food prep space. Doing so will create a space where you can gather to make memories and delicious meals.

NEED INSPIRATION?

Find recipes, guides, and more online at hpcfire.com/forno/videos prepared by the creator of the Forno de Pizza.



DiNapoli Series - Forno de Pizza

Tile Color	SKU	MSRP
Ready-To-Finish	FDP-DINAPOLI/RTF-EI-NG	\$5,879.00

DIY OVEN ENCLOSURE

The DiNapoli series oven is for anyone who wants a more classic pizza oven experience. This model is just the oven with a chimney, designed to be built into a brick or stone stack. It makes a great DIY project for anyone who wants to get their hands dirty and offers consumers the ability to more carefully curate their aesthetic.





Oven Accessories - Forno de Pizza

Accessory	SKU	MSRP
Infrared Thermometer	FDP-INFRA-RED GUN	\$57.00
Door w/ Internal Thermometer	FDP-DOOR	\$418.00
Grill Rack	FDP-GRILL RACK	\$116.00
Utensil Holder	FDP-HOLDER	\$53.00
Brush	FDP-BRUSH	\$31.00
Pan Peel	FDP-ALUM PEEL	\$29.00
Wooden Paddle	FDP-WOODEN PADDLE	\$40.00
Pizza Plate	FDP-PANS	\$23.00
Dough Sheets	FDP-DOUGH ROLLING SHEETS	\$15.00
Accessory Kit	FDP-ACCESSORY KIT	\$163.00

ACCESSORY KIT

Includes utensil holder, brush, wooden paddle, aluminum pans (2), aluminum peel, and dough rolling sheets (2).



FDP-ACCESSORY KIT



INFRARED THERMOMETER

FDP-INFRA-RED GUN
\$57.00



DOOR WITH THERMOMETER

FDP-DOOR
\$418.00



GRILL RACK

FDP-GRILL RACK
\$116.00



UTENSIL HOLDER

FDP-HOLD HOLDER
\$53.00



BRUSH

FDP-BRUSH
\$31.00



PAN PEEL

FDP-ALUM PEEL
\$29.00



WOODEN PADDLES

FDP-WOOD PADDLE
\$40.00



PIZZA PLATES

FDP-PANS
\$23.00



DOUGH SHEETS

FDP-DOUGH ROLLING SHEETS
\$15.00

Vinyl Covers - Forno de Pizza

Oven Type	SKU	MSRP
Forno	FDP-COVER-FORNO	\$563.00
Villa	FDP-COVER-VILLA	\$339.00

COVERS THAT LAST

The perfect tool for keeping your Forno de Pizza protected from the elements, these vinyl covers are designed to be weather and UV resistant. It resembles those that are commonly used on grills.



FORNO COVER

FDP-COVER-FORNO
\$563.00



VILLA COVER

FDP-COVER-VILLA
\$339.00

DRUM SMOKER

OUTDOOR LIVING AND DINING

HPC's brand new stainless steel drum smoker. Utilizing patented Vortex technology, the drum smoker is designed to produce optimal cooking conditions while accommodating large quantities of food.



BENEFITS

- Powerful smoking technology allows for great meals every time
- Wheels for convenient transportation, plus wheel lock

FEATURES

- Dual vane intake system
- Patented Vortex technology for optimal air flow
- Two rack structure for cooking more food

SPECIFICATIONS

- Composed of 304 stainless steel

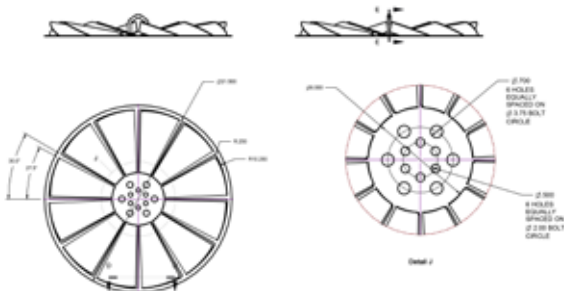
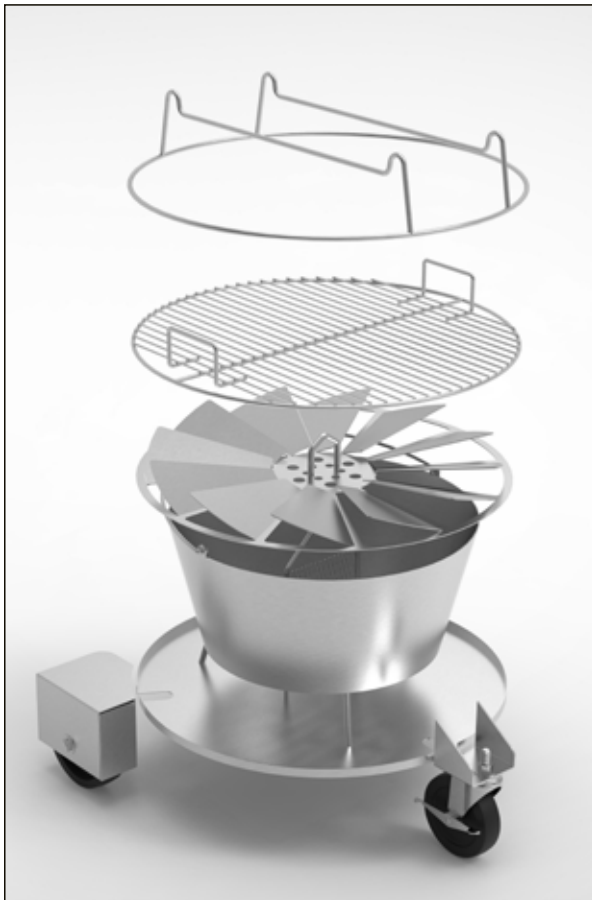
Stainless Steel Drum Smoker

SKU	MSRP
DS-SST	\$2,091.00

ONE OF A KIND TECHNOLOGY

The HPC Fire Inspired Stainless Steel Drum Smoker utilizes patented vortex technology to evenly smoke and cook food to perfection. Its unique design also maintains temperature better and burns wood more efficiently than competing smokers, allowing for up to an 18 hour cook time on one bag of lump charcoal. Furthermore, its tall, cylindrical design allows its user to smoke multiple food items, employing a two-rack internal structure.

Vortex technology is characterized by a dual intake vane system. The side intake tubes bring air in, the interior vanes distribute the air, and it exits through the exhaust on top, allowing for a delicious, evenly cooked meal every time.



QUICK REFERENCE - MEDIA

Fire Logs

Style	Size	Pieces
Arizona Weathered Oak	12"-18"	9
Arizona Weathered Oak	14"-18"	16
Aspen Birch	11"-18"	9
Aspen Birch	13"-18"	16
Western Driftwood	10"-18"	9
Western Driftwood	10"-21"	16

SKU	MSRP
FPL18/24AW09	\$584.00
FPL30/36AW016	\$1,074.00
FPL18/24AB9	\$584.00
FPL30/36AB16	\$1,074.00
FPL18/24WD9	\$584.00
FPL30/36WD16	\$1,074.00



ARIZONA WEATHERED OAK



ASPEN BIRCH



WESTERN DRIFTWOOD

Lava & Ceramic Rock

Style	Size	Color
Lava Rock	1"-2"	Black
Rolled Lava Stone	1"-2"	Black
Rolled Lava Stone	2.5"-4.5"	Black
Ceramic River Rock	2.5"-4.5"	Multicolor
Ceramic River Rock	2.5"-4.5"	Black

SKU	MSRP
657	\$34.00
857S	\$185.00
857M	\$221.00
FPR84MC	\$525.00
FPR84BL	\$493.00



LAVA ROCK



ROLLED LAVA STONE



CERAMIC RIVER ROCK (BLACK)



CERAMIC RIVER ROCK (MULTICOLOR)

Fire Glass

Color	SKU	MSRP (per lb)
Cobalt Blue	FPGLCOBALTBLUE	\$5.00
Pacific Blue	FPGLPACIFICBLUE	\$5.00
Pacific Blue (reflective)	FPGLPACBLUEREFL	\$6.00
Black	FPGLBLACK	\$5.00
Clear	FPGLCLEAR	\$5.00
Starfire	FPGLSTARFIRE	\$5.00
Gray (reflective)	FPGLGRAYREFLEC	\$6.00
Copper	FPGLCOPPER	\$5.00
Black (reflective)	FPGLBLACKREFL	\$6.00
Bronze	FPGLBRONZE	\$5.00



NOTE: Fire glass is priced per lb, but sold only in 10lb increments.

WARNING: California PROP 65: This product can expose you to lead and chromium, elements which are known to the State of California to cause cancer, birth defects or other reproductive harm. For more information, go to www.P65Warnings.ca.gov

QUICK REFERENCE - ACCESSORIES

ROUND BOWL INSERTS (pg. 12)
 ROUND FLAT INSERTS (pg. 16)
 SQUARE BOWL INSERTS (pg. 20)
 SQUARE FLAT INSERTS (pg. 24)
 RECTANGLE BOWL INSERTS (pg. 28)
 LINEAR TROUGH INSERTS (pg. 36)
 LINEAR INTERLINK INSERTS (pg. 44)

	Vinyl Covers	Outdoor Logs	Wind Guards	Install Collars	Lava Rock / Stone	Glass (lbs)	River Rock (boxes)
Size	pg. 76	pg. 74	pg. 78	pg. 81	pg. 74	pg. 74	pg. 74
13"	FPC-35	FPL18xx	WG23-RD	1 Box	1 Bag	20	1
19"	FPC-45	FPL18xx	WG30-RD	1 Box	2 Bags	40	1
25"	FPC-45	FPL18xx	WG30-RD	1 Box	2 Bags	60	2
31"	FPC-53	FPL18xx	WG38-RD	1 Box	2 Bags	90	3
37"	FPC-53	FPL30xx	WG48-RD	2 Boxes	4 Bags	120	4
43"	FPC-64	FPL30xx	WG48-RD	2 Boxes	4 Bags	160	5
14"	FPC-35	FPL18xx	WG23-RD	1 Box	1 Bag	30	1
18"	FPC-45	FPL18xx	WG23-RD	1 Box	2 Bags	30	1
24"	FPC-45	FPL18xx	WG30-RD	1 Box	2 Bags	50	2
30"	FPC-53	FPL18xx	WG38-RD	2 Boxes	2 Bags	80	3
36"	FPC-53	FPL30xx	WG38-RD	2 Boxes	4 Bags	110	4
42"	FPC-64	FPL30xx	WG48-RD	2 Boxes	4 Bags	150	5
54"	FPC-76	FPL30xx	N/A	3 Boxes	6 Bags	250	8
18"	FPC-48SQ	FPL18xx	WG25-SQ	1 Box	2 Bags	40	1
24"	FPC-48SQ	FPL18xx	WG31-SQ	2 Boxes	2 Bags	70	2
30"	FPC-60SQ	FPL18xx	WG37-SQ	2 Boxes	2 Bags	110	3
36"	FPC-60SQ	FPL30xx	WG43-SQ	2 Boxes	6 Bags	150	4
42"	FPC-60SQ	FPL30xx	WG49-SQ	2 Boxes	6 Bags	190	4
42"	FPC-64	FPL30xx	WG48-RD	2 Boxes	4 Bags	150	5
18"	FPC-48SQ	FPL18xx	WG25-SQ	1 Box	2 Bags	40	1
24"	FPC-48SQ	FPL18xx	WG31-SQ	2 Boxes	2 Bags	70	2
30"	FPC-60SQ	FPL18xx	WG37-SQ	2 Boxes	2 Bags	100	3
36"	FPC-60SQ	FPL30xx	WG43-SQ	2 Boxes	6 Bags	140	4
42"	FPC-60SQ	FPL30xx	WG49-SQ	2 Boxes	6 Bags	190	4
43"	FPC-64	FPL30xx	WG48-RD	2 Boxes	4 Bags	160	5
24X12"	FPC-62X30	FPL18xx	WG31X19-RECT	1 Box	2 Bags	40	1
30X12"	FPC-62X30	FPL18xx	WG37X19-RECT	1 Box	2 Bags	40	2
36X14"	FPC-78X40	FPL30xx	WG43X21-RECT	2 Boxes	2 Bags	60	2
42X14"	FPC-78X40	FPL30xx	WG49X21-RECT	2 Boxes	2 Bags	70	3
54X16"	FPC-78X40	FPL30xx	WG61X23-RECT	2 Boxes	4 Bags	100	3
66X16"	FPC-90X40	FPL30xx	N/A	2 Boxes	6 Bags	120	4
78X16"	FPC-102X40	FPL30xx (2)	N/A	3 Boxes	6 Bags	140	4
90X16"	FPC-114X40	FPL30xx (2)	N/A	3 Boxes	8 Bags	160	5
24"	FPC-44X30	FPL18xx	WG31X15-L	1 Box	1 Bag	20	1
36"	FPC-62X30	FPL18xx	WG43X15-L	2 Boxes	2 Bags	30	1
48"	FPC-62X30	FPL30xx	WG55X15-L	2 Boxes	2 Bags	40	1
60"	FPC-94X30	FPL30xx	WG67X15-L	2 Boxes	2 Bags	40	1
72"	FPC-94X30	FPL30xx (2)	N/A	2 Boxes	2 Bags	50	2
96"	FPC-130X30	FPL30xx (3)	N/A	2 Boxes	2 Bags	60	2
25X8"	FPC-44X30	FPL18xx	WG31X15-L	1 Box	1 Bag	20	1
37X8"	FPC-62X30	FPL18xx	WG43X15-L	2 Boxes	2 Bags	30	1
49X8"	FPC-62X30	FPL30xx	WG55X15-L	2 Boxes	2 Bags	40	1
61X8"	FPC-94X30	FPL30xx	WG67X15-L	2 Boxes	2 Bags	40	2
73X8"	FPC-94X30	FPL30xx (2)	N/A	2 Boxes	4 Bags	50	2
97X8"	FPC-130X30	FPL30xx (3)	N/A	2 Boxes	4 Bags	60	2
121X8"	FPC-130X30	FPL30xx (3)	N/A	3 Boxes	6 Bags	80	3

Looking for our indoor fireplace component catalog?
It's online! Scan the QR code here to see it.



Install Confidence™

FIRE INSPIRED™